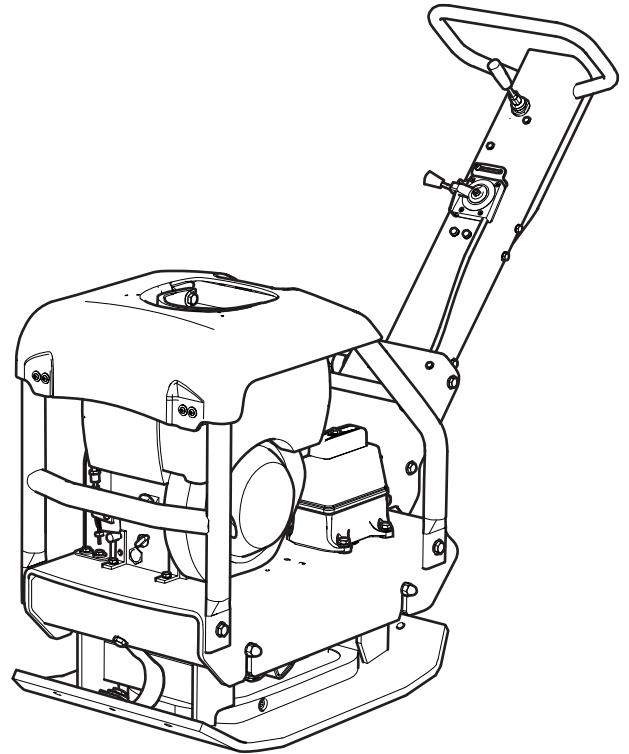


Spare parts list

Forward and reversible plate

	Valid from serial number
LG 200 Honda Manual start 500 mm	32009001
LG 200 Hatz Manual start 500 mm	32009001
LG 200 Hatz Electric start 500 mm	32009001
LG 200 Honda Manual start 500 mm Bio	32009001
LG 200 Hatz Manual start 500 mm Bio	32009001
LG 200 Hatz Electric start 500 mm Bio	32009001
LG 200 Honda Manual start 500 mm	BGF000001
LG 200 Hatz Manual start 500 mm	BGF000001
LG 200 Hatz Electric start 500 mm	BGF000001
LG 200 Honda Manual start 500 mm Bio	BGF000001
LG 200 Hatz Manual start 500 mm Bio	BGF000001
LG 200 Hatz Electric start 500 mm Bio	BGF000001
LG 200 Hatz Manual start 500 mm EPA	BGF000001
LG 200 Hatz Electric start 500 mm EPA	BGF000001



Contents

General information	5
Spare parts list	6
Frame and hoods	6
Engine plate	8
Ground plate and eccentric element installation	10
Transport device	12
Eccentric element	14
Engine installation, Honda	16
Engine, Honda GX 200 UT SM-12 OH	18
Engine installation, Hatz	22
Engine, Hatz 1B20 electric start	24
Engine, Hatz 1B20 electric start, EPA version	28
Engine, Hatz 1B20 manual start	32
Engine, Hatz 1B20 manual start, EPA version	36
Centrifugal clutch, Honda	40
Centrifugal clutch, Hatz electric start	42
Centrifugal clutch, Hatz manual start	44
Belt tightner	46
Hydraulic system	48
Battery installation	52
Handle	54
Throttle control, Honda	56
Throttle control, Hatz, Non EPA version	58
Throttle control, Hatz, EPA version	60
Labels	62
Kits	64
One year service kit	64
Shock absorber repair kit	65
Eccentric element repair kit	65
Forward and reverse piston repair kit	66
Block paving plate kit 510 mm (20.1 in.)	66
Transport device kit	67

General information

This spare parts list applies to the following:

Part number	Description
3382 0000 65	Forward and reversing plate LG 200 Honda Manual start 500 mm (19.68 in.)
3382 0000 68	Forward and reversing plate LG 200 Honda Manual start 500 mm (19.68 in.) Bio
3382 0000 66	Forward and reversing plate LG 200 Hatz Manual start 500 mm (19.68 in.)
3382 0000 67	Forward and reversing plate LG 200 Hatz Electric start 500 mm (19.68 in.)
3382 0000 69	Forward and reversing plate LG 200 Hatz Manual start 500 mm (19.68 in.) Bio
3382 0000 70	Forward and reversing plate LG 200 Hatz Electric start 500 mm (19.68 in.) Bio
3382 0002 80	Forward and reversing plate LG 200 Hatz Manual start 500 mm (19.68 in.) EPA
3382 0002 83	Forward and reversing plate LG 200 Hatz Electric start 500 mm (19.68 in.) EPA

Use only authorized parts. Any damage or malfunction caused by the use of unauthorized parts is not covered by Warranty or Product Liability. Any unauthorized use or copying of the contents or any part thereof is prohibited. This applies in particular to trademarks, model denominations, part numbers, and drawings.

Instructions for use

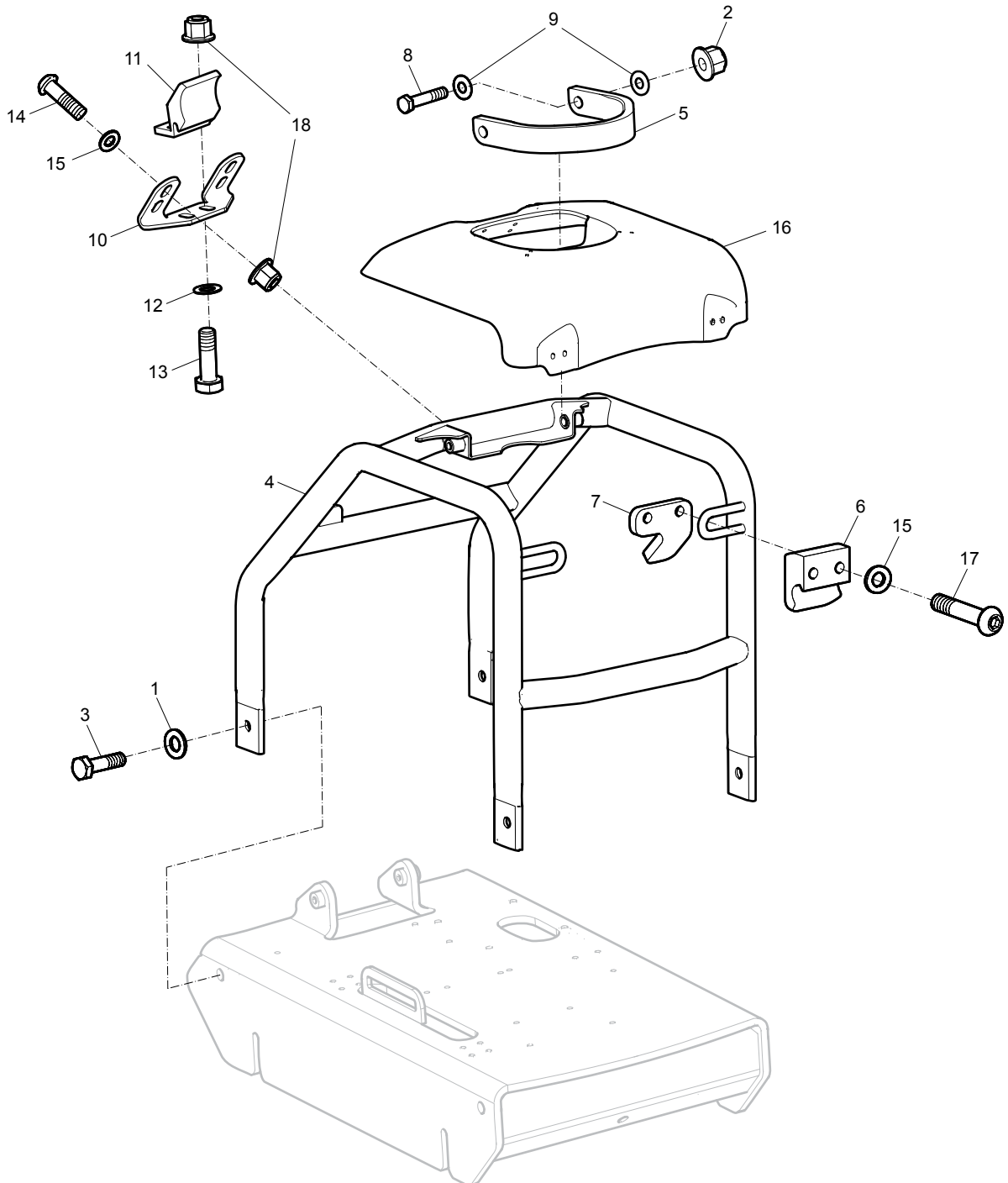
This spare parts list contains no safety regulations and is merely intended to assist in the ordering of spare parts.

For information about operating, servicing, or repairing, the relevant Safety and operating instructions must be consulted at all costs.

Please observe the safety instructions listed in the relevant Safety and operating instructions!

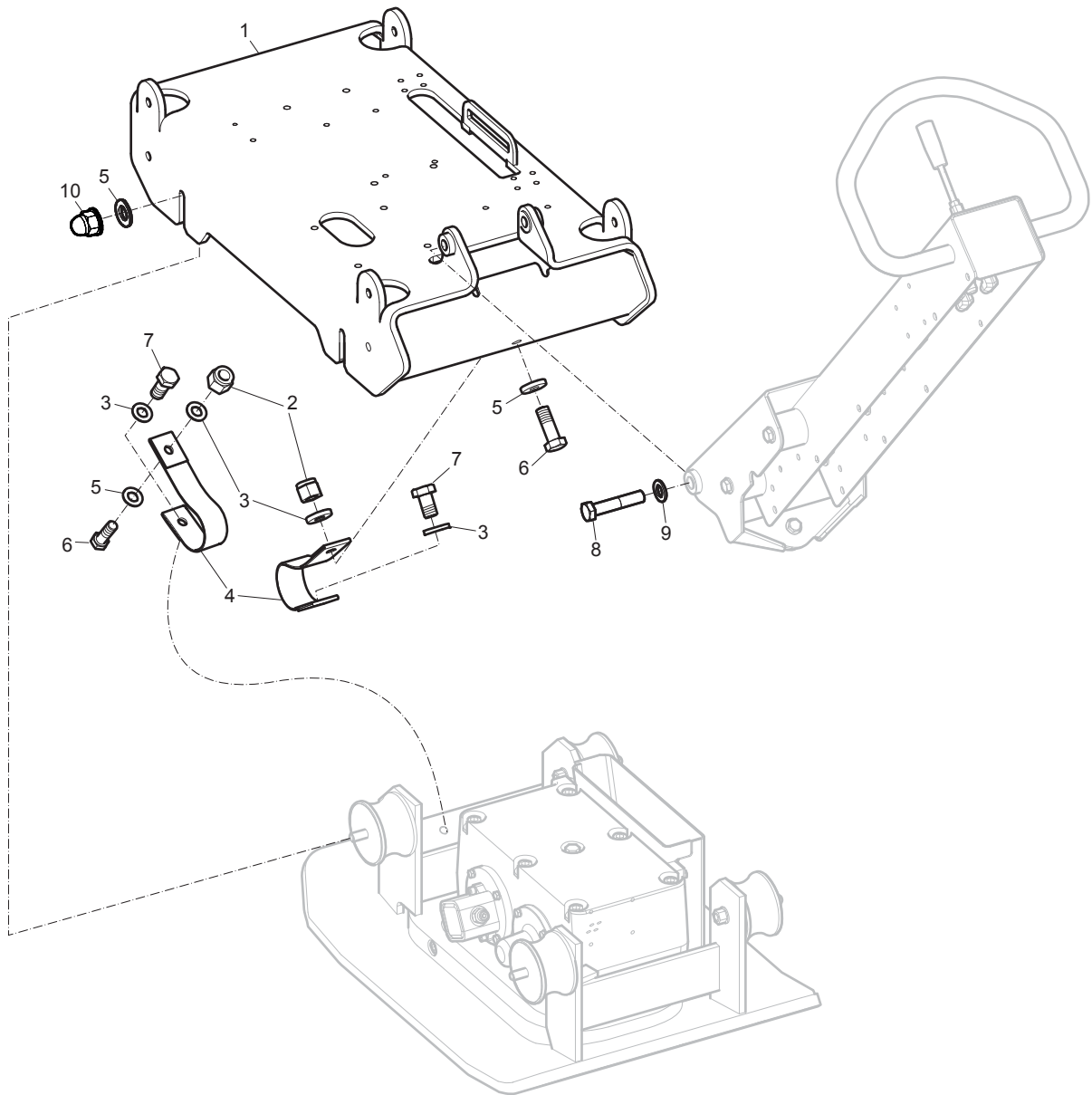
Spare parts list

Frame and hoods



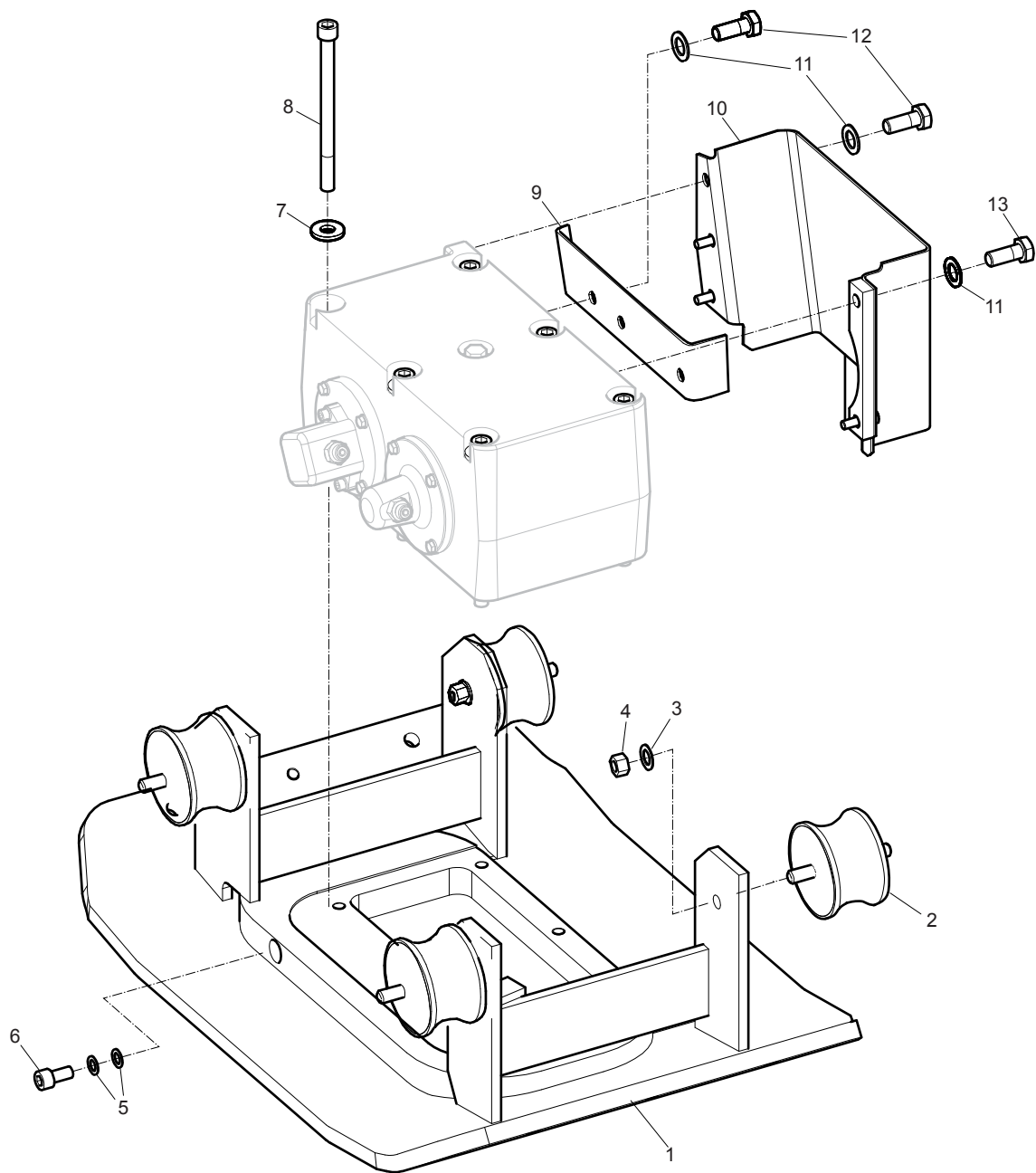
No.	Description	Remark	Quantity	Part number
1	Washer	13 x 24 x 2 mm 0.51 x 0.98 x 0.08 in. 300 HV	4	-
2	Locknut	M12	2	4700 5860 19
3	Screw	M12 x 35 mm 8.8 A3K	4	-
4	Protective frame		1	3382 0104 51
5	Lifting lug		1	3382 0104 53
6	Clip		2	4700 3872 60
7	Stop		2	4700 3877 05
8	Screw	M12 x 60 mm 8.8 A3K	2	-
9	Washer	28 x 14.2 x 1 mm 1.10 x 0.57 x 0.04 in.	4	-
10	Bracket		1	4700 3872 61
11	Clip		1	4700 3872 59
12	Washer	6.4 x 12 x 1.5 mm 0.25 x 0.47 x 0.06 in. 300 HV	2	-
13	Screw	M6 x 20 mm 8.8 A2K	2	-
14	Screw	M6 x 20 mm A2-70	4	-
15	Washer	6 x 18 x 2 mm 0.24 x 0.71 x 0.08 in. 300 HV	8	-
16	Hood		1	3382 0104 52
17	Screw		4	4700 9047 98
18	Nut	M6 x 1 mm A2K	6	-

Engine plate



No.	Description	Remark	Quantity	Part number
1	Engine plate		1	3382 0104 41
2	Lock nut	M12	2	-
3	Washer	13 x 36 x 6 mm 0.51 x 1.42 x 0.24 in. 300 HV	4	-
4	Strap		2	3382 0100 77
5	Washer	13 x 24 x 2 mm 0.51 x 0.94 x 0.08 in. 300 HV	6	-
6	Screw	M12 x 35 mm 8.8 A3K	2	-
7	Screw	M12 x 25 mm 8.8 A3K	2	-
8	Screw	M1 x 65 mm 8.8 A3K	2	-
9	Washer	10.5 x 22 x 2 mm 0.41 x 0.87 x 0.08 in. 300 HV	2	-
10	Nut	M12	4	-

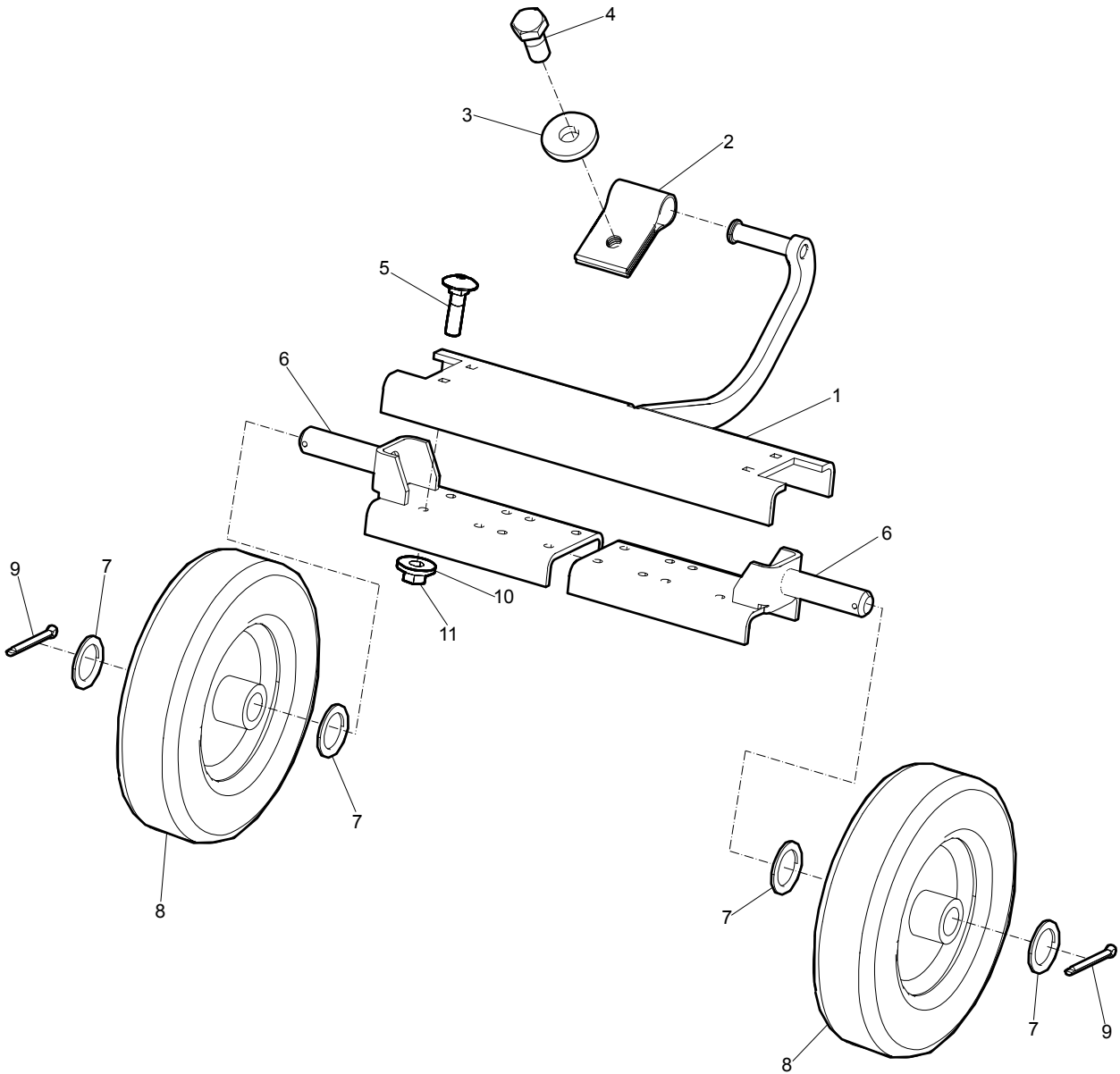
Ground plate and eccentric element installation



No.	Description	Remark	Quantity	Part number
1	Ground plate		1	4700 2806 21
2	Shock absorber		4	4700 2807 50
3	Washer	13 x 24 x 2 mm 0.51 x 0.98 x 0.08 in. 300 HV	4	-
4	Nut	M12 A3K	4	-
5	Washer		2	4700 7475 41
6	Screw	M10 x 20 mm	1	-
7	Washer	13 x 24 x 6 mm 0.51 x 0.95 x 0.16 in. 300 HV	6	-
8	Screw	M12 x 160 mm 12.9 GEOMET®	6	4700 9294 54
9	V-belt protection	Inner	1	4700 2808 58
10	V-belt cover		1	4700 2808 71
11	Washer	8.4 x 16 x 1.5 mm 0.33 x 0.63 x 0.06 in. 300 HV	8	-
12	Screw	M8 x 20 mm 8.8 A2K	6	-
13	Screw	M8 x 30 mm	2	-

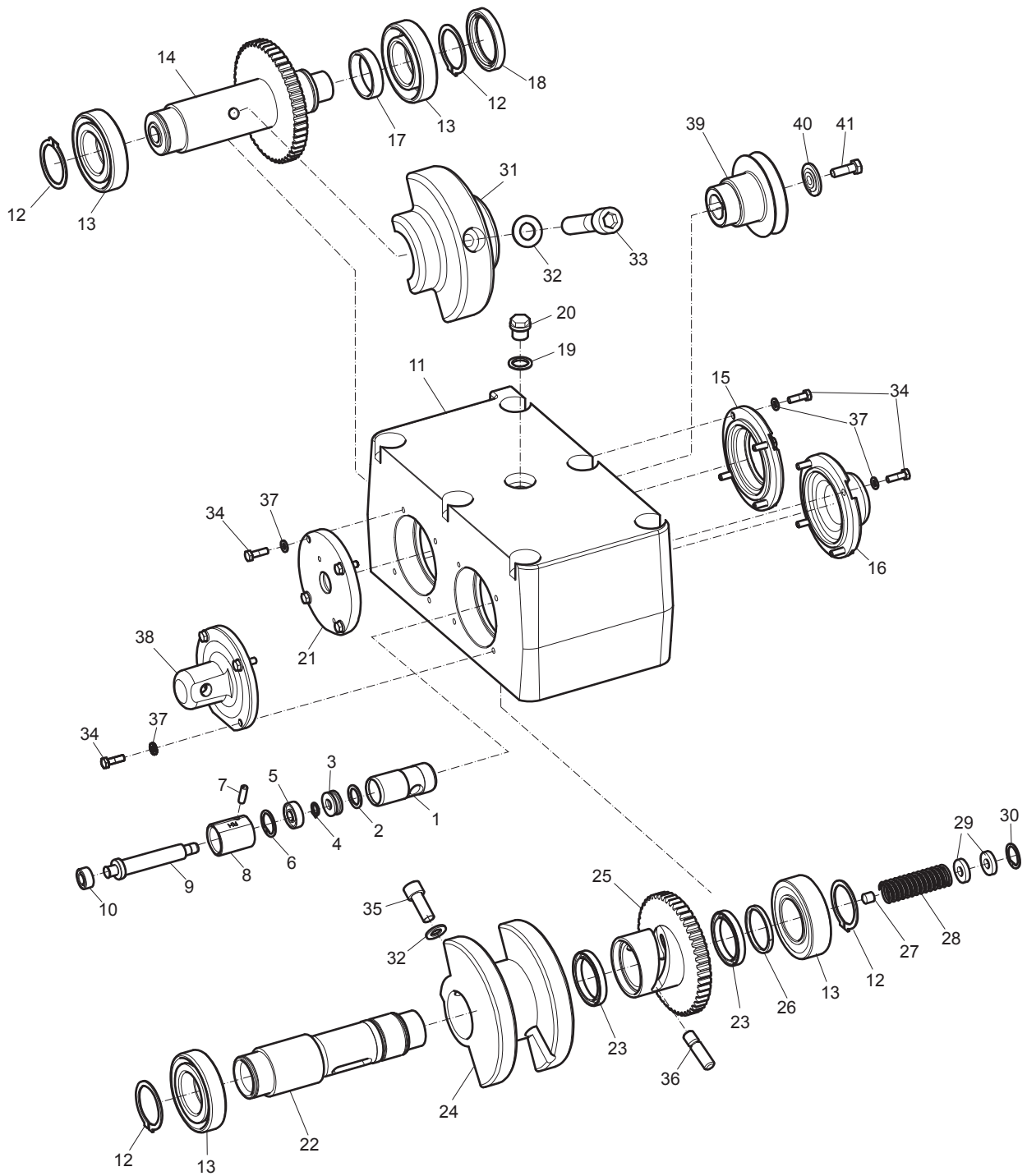
GEOMET is a registered trademark of Nof Metal Coatings North America Inc.

Transport device



No.	Description	Remark	Quantity	Part number
1	Transport device		1	4700 3949 33
2	Strap		1	4700 2804 17
3	Washer	13 x 36 x 6 mm 0.51 x 1.42 x 0.24 in. 300 HV	1	-
4	Screw	M12 x 25 mm 8.8 A3K	1	-
5	Screw	M8 x 30 mm 8.8	4	-
6	Wheel bracket		2	4700 3949 85
7	Washer		4	4700 2710 32
8	Wheel		2	4700 3835 98
9	Split pin	4 x 40 mm 0.16 x 1.57 in.	2	4700 6300 15
10	Washer	8.4 x 22 x 3 mm 0.33 x 0.87 x 0.12 in. 300 HV	4	-
11	Nut	M8 A2K	4	-

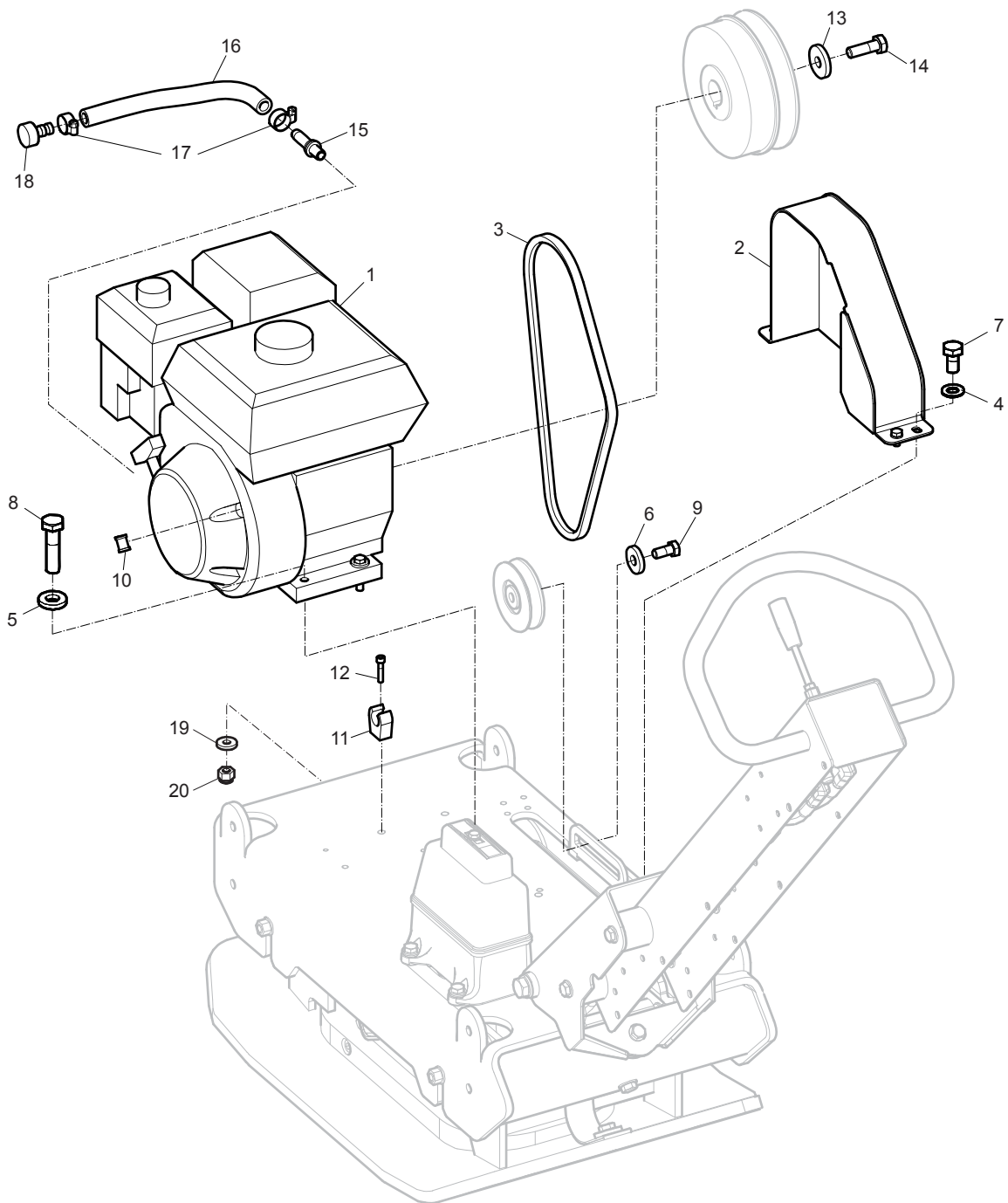
Eccentric element



No.	Description	Remark	Quantity	Part number
1	Piston		1	4812 0700 53
2	Spring washer		1	4812 0703 63
3	Thrust ball bearing		1	4812 0703 62
4	Cap		1	4700 1500 02
5	Deep groove ball bearing		1	4812 0703 59
6	Retaining ring		1	4700 1510 39
7	Spring pin		1	4700 6290 62
8	Cap		1	4812 0700 97
9	Piston rod		1	4812 0700 51
10	Sealing		1	4700 2812 76
11	Eccentric housing		1	4700 3791 75
12	Retaining ring		4	4700 1500 17
13	Cylindrical roller bearing		4	4700 9033 63
14	Shaft		1	4700 3950 60
15	Cover		1	4700 3791 67
16	Cover		1	4812 0700 55
17	Spacer		1	4700 2806 45
18	Radial lip-type seal		1	4700 9287 94
19	Washer sealing	16.7 x 24 x 1.5 mm 0.66 x 0.94 x 0.06 in. TYPE A,M16	1	4700 1620 11
20	Steel plug threaded		1	4700 2321 43
21	Cover		1	4700 3791 68
22	Eccentric shaft		1	4812 0700 54
23	Deep groove ball bearing		2	4700 9292 87
24	Eccentric weight		1	4700 2806 69
25	Gear wheel		1	4812 0700 96
26	Spacer		1	4700 2806 46
27	Socket screw	M10 x 12 mm	1	-
28	Helical spring		1	4700 2806 77
29	Washer		2	4700 2806 48
30	Retaining ring		1	4700 1510 07
31	Eccentric		1	4700 2863 80
32	Steel plain washer	12 x 22 x 2 mm 0.47 x 0.87 x 0.08 in. 300 HV	2	-
33	Screw	M12 x 60 mm 10.9 GEOMET®	1	4700 7927 24
34	Screw	M6 x 20 mm 8.8 A2K	16	-
35	Screw	M12 x 30 mm 10.9 GEOMET®	1	4700 7927 23
36	Pin		1	4700 2806 44
37	Steel plain washer	6.4 x 12 x 1.5 mm 0.25 x 0.47 x 0.06 in. 300 HV	16	-
38	Hydraulic cylinder		1	4812 0700 50
39	V-belt pulley		1	4700 2806 43
40	Washer		1	4700 2806 54
41	Screw	M10 x 25 mm	1	-

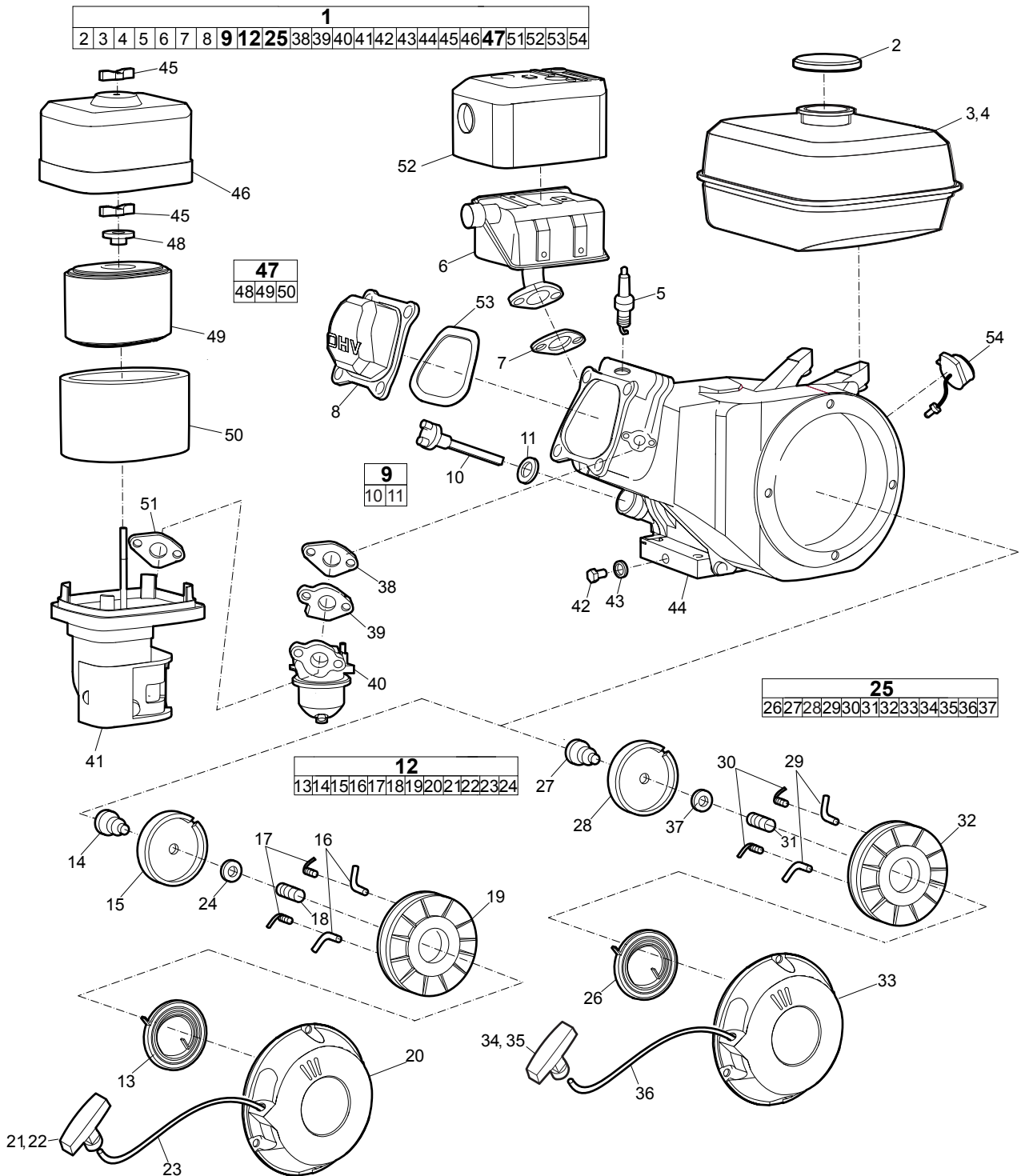
GEOMET is a registered trademark of Nof Metal Coatings North America Inc.

Engine installation, Honda



No.	Description	Remark	Quantity	Part number
1	Engine	Honda GX200 SM-12 SD	1	4700 3879 79
2	V-belt guard		1	3382 0104 54
3	V-belt		1	4700 2813 45
4	Washer	8.4 x 22 x 3 mm 0.33 x 0.87 x 0.12 in. 300 HV	4	-
5	Washer	8.4 x 16 x 1.5 mm 0.33 x 0.63 x 0.06 in. 300 HV	4	-
6	Washer	13 x 30 x 4 mm 0.51 x 1.18 x 0.16 in. 300 HV	1	-
7	Screw	M8 x 16 mm 8.8 A2K	4	-
8	Screw	M8 x 35 mm 8.8 A2K	4	-
9	Screw	M12 x 30 mm 8.8 A3K	1	-
10	Clamp		1	4700 9210 65
11	Ryw-clip		1	4700 2812 34
12	Screw	M5 x 25 mm 8.8 A2K	1	-
13	Washer	8.4 x 26 x 4 mm 0.33 x 1.02 x 0.16 in. 300 HV	1	-
14	Screw	M8 x 25 mm 8.8 A2K	1	-
15	Connector		1	4812 0703 74
16	Hose		1	3382 0101 86
17	Hose clamp		2	4700 3130 01
18	Plug		1	3382 0101 80
19	Washer	5.3 x 10 x 1 mm 0.21 x 0.39 x 0.04 in. 300 HV	1	-
20	Nut	M5 A2K	1	-

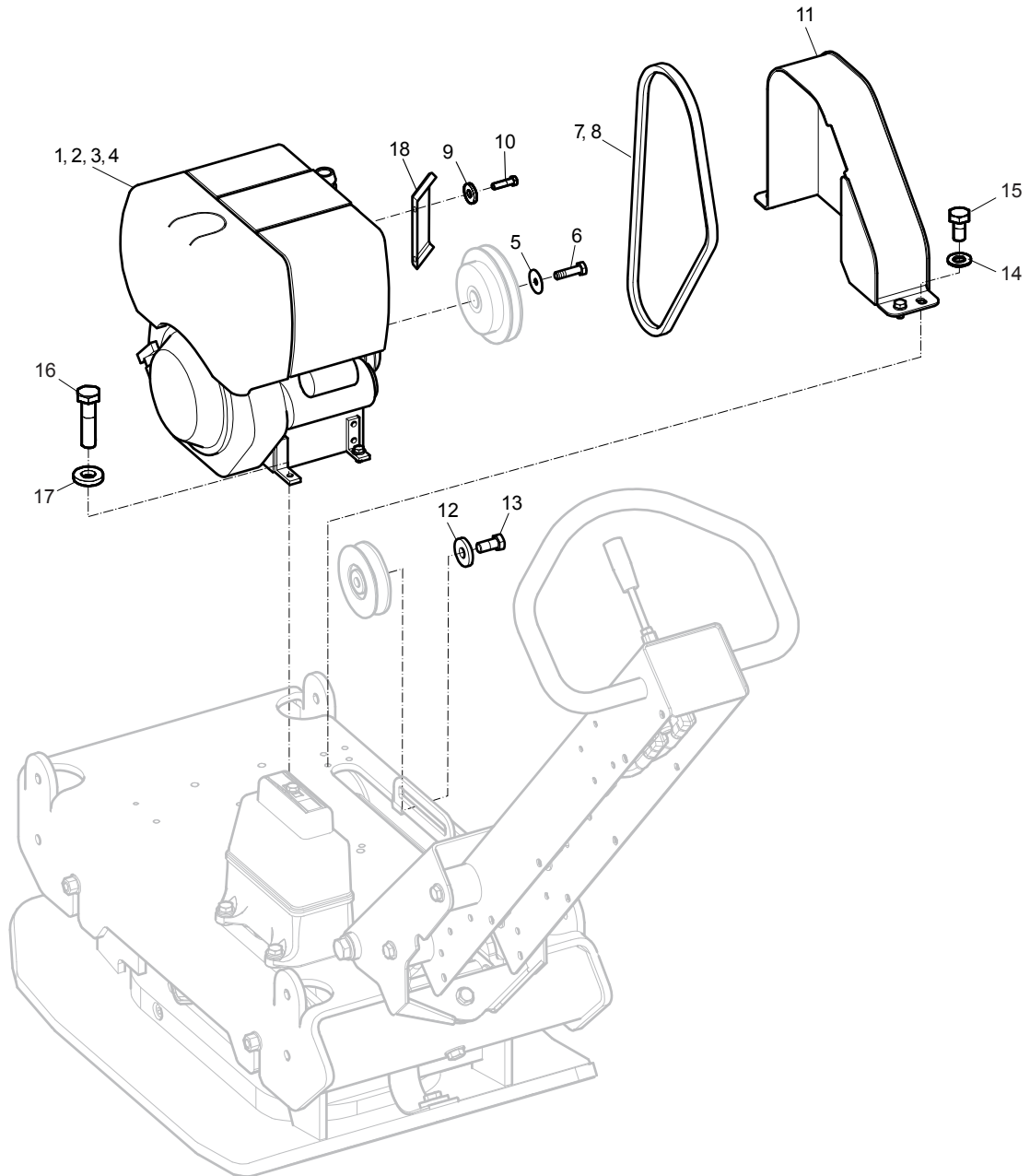
Engine, Honda GX 200 UT SM-12 OH



No.	Description	Remark	Quantity	Part number
1(2-8,9,12,25,38-46,47,51-54)	Engine, complete		1	4700 3879 79
2	Fuel cap		1	4700 9501 68
3	Fuel tank	Valid up to engine serial number 1443526.	1	3382 1001 73
4	Fuel tank	Valid from engine serial number 1443527.	1	3382 1001 06
5	Spark plug		1	3382 1000 54
6	Silencer		1	4700 2398 89
7	Gasket		1	4700 2390 63
8	Valve cover		1	4700 9379 17
9(10-11)	Oil dipstick, complete		1	3382 1001 65
10	Dipstick	Not sold separately.	1	-
11	Gasket		1	4700 2383 03
12(13-24)	Recoil starter, complete	Painted red.	1	4700 9405 38
13	Spring		1	4700 2393 75
14	Adjustment screw		1	3382 1001 77
15	Guide		1	3382 1001 91
16	Ratchet		2	3382 1001 69
17	Spring		2	3382 1001 92
18	Spring		1	3382 1001 93
19	Reel		1	3382 1001 71
20	Cover		1	2020 2020 20
21	Handle	Valid up to engine serial number 1517328.	1	3382 1001 94
22	Handle	From engine serial number 1517329.	1	4700 2393 91
23	Rope		1	4700 2393 74
24	Washer		1	3382 1001 70
25(26-37)	Recoil starter, complete	Painted black.	1	3382 1001 90
26	Spring		1	4700 2393 75
27	Adjustment screw		1	3382 1001 77
28	Guide		1	3382 1001 91
29	Ratchet		2	3382 1001 69
30	Spring		2	3382 1001 92
31	Spring		1	3382 1001 93
32	Reel		1	3382 1001 71
33	Cover		1	-
34	Handle	Valid up to engine serial number 1517328.	1	4700 2393 91
35	Handle	From engine serial number 1517329.	1	3382 1001 94
36	Rope		1	4700 2393 74
37	Washer		1	3382 1001 70
38	Gasket		1	3382 1001 68
39	Spacer		1	4700 9396 59
40	Carburetor		1	3382 1001 89
41	Housing		1	4700 9382 30
42	Oil drain plug		1	4700 2383 02
43	Gasket		1	4700 2383 03
44	Crankcase		1	-
45	Wing nut		2	4700 2393 71
46	Air filter cover		1	4700 2396 85

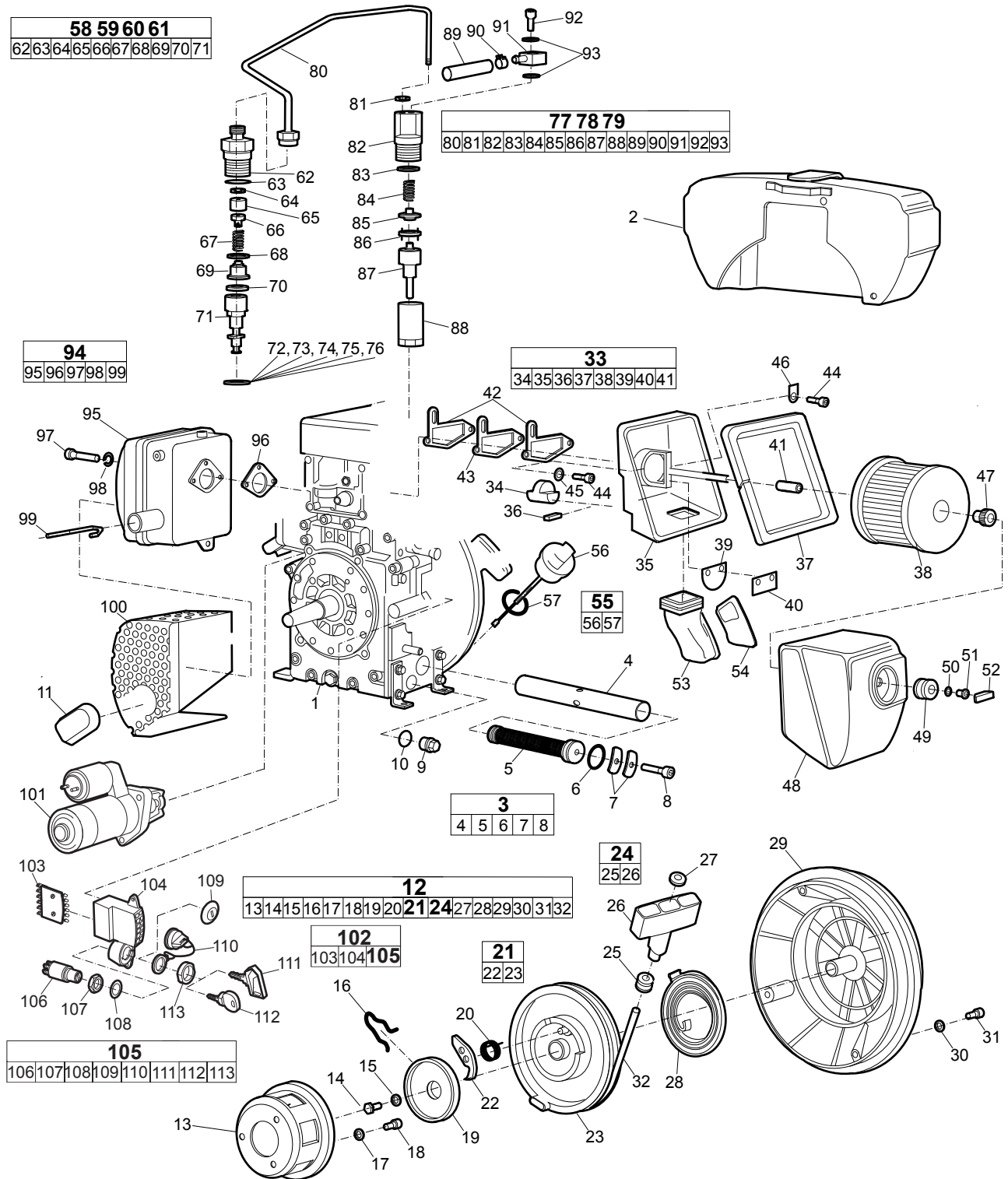
No.	Description	Remark	Quantity	Part number
47(48-50)	Air filter, complete		1	4700 2393 23
48	Grommet		1	4700 2397 72
49	Airfilter	Not sold separately.	1	-
50	Airfilter	Outer	1	4700 9382 29
51	Spacer		1	4700 9396 59
52	Silencer cover		1	4700 2398 90
53	Gasket		1	4700 2383 01
54	Engine switch		1	3382 1001 72

Engine installation, Hatz



No.	Description	Remark	Quantity	Part number
1	Engine	Hatz 1B20 Manual start	1	4700 3910 58
2	Engine	Hatz 1B20 Electric start	1	4700 3910 57
3	Engine	Hatz 1B20 Manual start EPA version, for US and Canada market.	1	3382 0122 42
4	Engine	Hatz 1B20 Electric start EPA version, for US and Canada market.	1	3382 0122 45
5	Washer	8.4 x 26 x 4 mm 0.33 x 1.02 x 0.16 in. 300 HV	1	-
6	Screw	M8 x 30 mm	1	4700 5000 22
7	V-belt	Hatz electric start	1	4700 2812 49
8	V-belt	Hatz manual start	1	4700 2813 36
9	Washer	6.4 x 12 x 1.5 mm 0.25 x 0.47 x 0.06 in. 300 HV	2	-
10	Screw	M6 x 16 mm 8.8 A2K	2	-
11	V-belt cover		1	3382 0104 54
12	Washer	13 x 30 x 4 mm 0.51 x 1.18 x 0.16 in. 300 HV	1	-
13	Screw	M12 x 30 mm 8.8 A3K	1	-
14	Washer	8.4 x 22 x 3 mm 0.33 x 0.87 x 0.12 in. 300 HV	4	-
15	Screw	M8 x 16 mm 8.8 A2K	4	-
16	Screw	M8 x 25 mm 8.8 A2K	4	-
17	Washer	8.4 x 16 x 1.5 mm 0.33 x 0.63 x 0.06 in. 300 HV	4	-
18	Deflector		1	4700 3875 77

Engine, Hatz 1B20 electric start

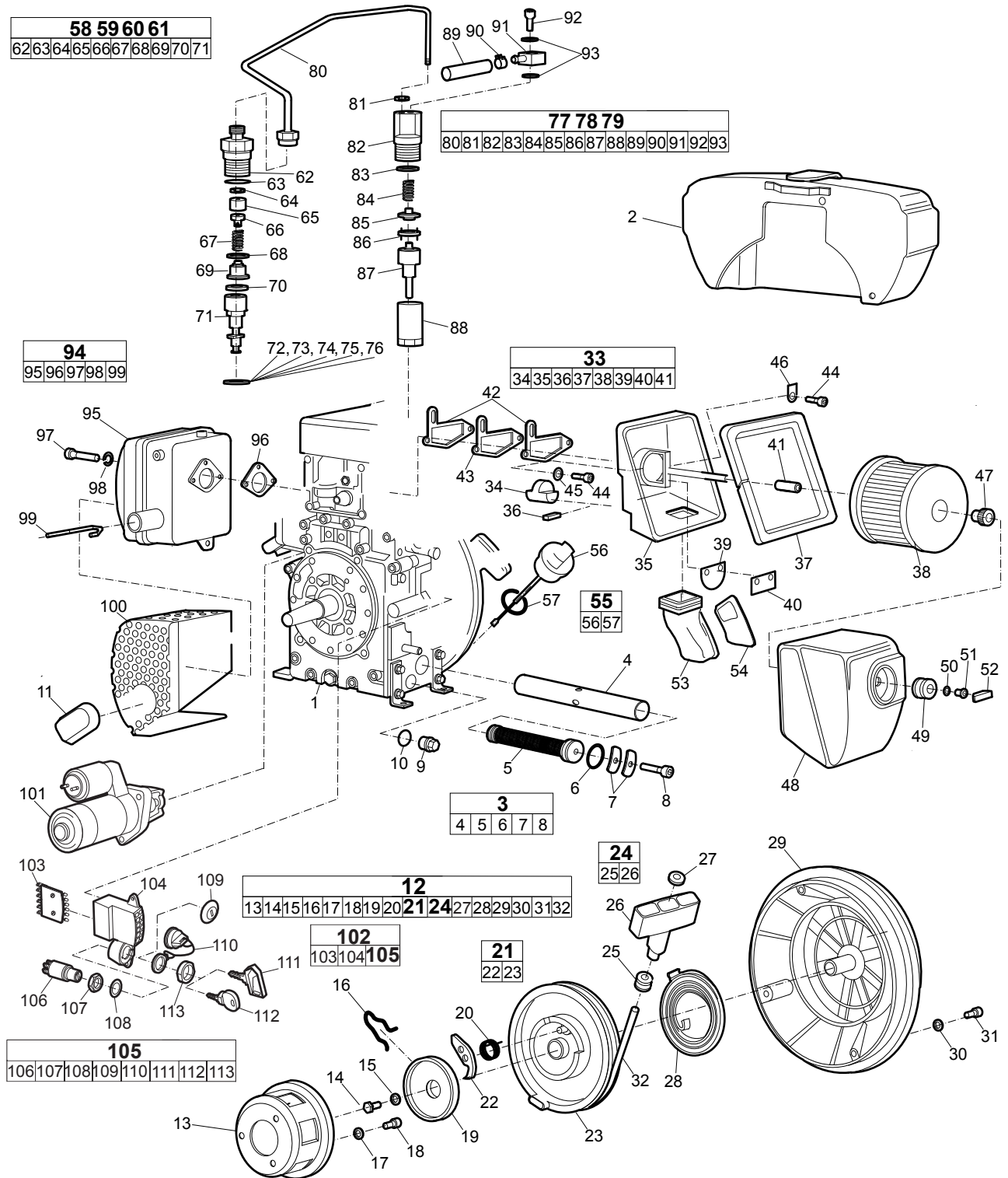


No.	Description	Remark	Quantity	Part number
1	Engine, complete	Hatz 1B20 Consist of item 2 to 113.	1	4700 3910 57
2	Fuel tank	See section "Fuel tank"	1	-
3(4-8)	Oil strainer, complete		1	4700 9370 01
4	Tube		1	-
5	Oil strainer		1	-
6	O-ring		1	3382 1001 43
7	Washer		2	3382 1001 44
8	Screw	M6 x 10 mm	1	-
9	Oil drain plug		1	4700 9370 02
10	O-ring		1	4700 7484 79
11	Exhaust pipe		1	4700 9370 04
12(13-20,21,24,27-32)	Recoil starter, complete		1	4700 9369 82
13	Case		1	4700 9369 99
14	Screw	M6 x 18 mm	1	-
15	Washer	M6	1	-
16	Lock spring		1	4700 9369 91
17	Spring washer	M 6	1	-
18	Screw	M6 x 10 mm	1	-
19	Reel		1	4700 9369 92
20	Spring		1	4700 9369 96
21(22-23)	Start pulley, complete		1	4700 9369 90
22	Ratchet		1	4700 9369 95
23	Start pulley		1	-
24(25-26)	Handle, complete		1	4700 9369 83
25	Sleeve		1	3382 1001 45
26	Handle		1	-
27	Washer	5.3 mm 0.21 in.	1	3382 1001 46
28	Return spring		1	4700 9369 85
29	Housing		1	4700 9369 86
30	Washer	M6	4	-
31	Screw	M6	4	-
32	Starter rope		1	4700 9369 89
33(34-41)	Air filter housing, complete		1	3382 1001 50
34	Plug		1	4700 9370 24
35	Housing		1	-
36	Sealing strip		1	3382 1001 47
37	Sealing strip		1	4700 9408 29
38	Air filter element		1	4700 9370 13
39	Valve plate	Black	1	-
40	Valve plate	Red	1	-
41	Rubber sleeve		1	3382 1001 48
42	Gasket		2	4700 9370 22
43	Insulating flange		1	4700 9370 23
44	Tube		3	-
45	Washer	M8	2	-
46	Washer		1	4700 9370 11
47	Knurled nut	M6	1	4700 9370 14
48	Cover		1	4700 9370 15
49	Rubber sleeve		1	4700 9370 16
50	Shim		1	3382 1001 49
51	Rivet		1	-
52	Nut		1	4700 9370 17

No.	Description	Remark	Quantity	Part number
53	Rubber insert		1	4700 9370 19
54	Cover		1	4700 9370 18
55(56-57)	Oil dipstick, complete		1	4700 9376 08
56	Dipstick		1	-
57	O-ring		1	4700 9454 25
58	Injection pump, complete	Valid from engine serial number 10032xxxxxxx Consist of item 62 to 71.	1	3382 1001 53
59	Injection pump, complete	Valid from engine serial number 10031xxxxxxx Consist of item 62 to 71.	1	4700 9506 07
60	Injection pump, complete	Valid from engine serial number 10030xxxxxxx Consist of item 62 to 71.	1	3382 1001 54
61(62-71)	Injection pump, complete	Valid from engine serial number 10029xxxxxxx Consist of item 62 to 71.	1	4700 9387 53
62	Pump part		1	-
63	Pump part		1	-
64	Pump part		1	-
65	Pump part		1	-
66	Pump part		1	-
67	Pump part		1	-
68	Pump part		1	-
69	Pump part		1	-
70	Pump part		1	-
71	Pump part		1	-
72	O-ring	0.2 mm 0.007 in.	1	4700 9369 77
73	O-ring	0.3 mm 0.011 in.	1	4700 9369 78
74	O-ring	0.4 mm 0.016 in.	1	4700 9369 79
75	O-ring	0.5 mm 0.020 in.	1	4700 9369 80
76	O-ring	0.6 mm 0.023 in.	1	4700 9369 81
77	Injector, complete	Valid from engine serial number 10032xxxxxxx Consist of item 80 to 93.	1	3382 1001 55
78	Injector, complete	Valid from engine serial number 10031xxxxxxx Valid from engine serial number 10030xxxxxxx Consist of item 80 to 93.	1	4700 9505 75
79(80-93)	Injector, complete	Valid from engine serial number 10029xxxxxxx Consist of item 80 to 93.	1	4700 9397 62
80	Injector part		1	-
81	Injector part		1	-
82	Injector part		1	-
83	Injector part		1	-
84	Injector part		1	-
85	Injector part		1	-
86	Injector part		1	-
87	Injector part		1	-
88	Injector part		1	-
89	Injector part		1	-
90	Injector part		1	-

No.	Description	Remark	Quantity	Part number
91	Injector part		1	-
92	Injector part		1	-
93	Injector part		1	-
94(95-99)	Silencer, complete		1	4700 9504 23
95	Silencer		1	-
96	Gasket		1	4700 9454 38
97	Screw	M8 x 25 mm	1	-
98	Washer	M8	1	-
99	Hook		1	3382 1001 51
100	Cover		1	3382 1001 52
101	Starter	12 V	1	4700 9389 35
102(103-104,105)	Startbox, complete		1	4700 9395 88
103	Circuit card		1	-
104	Housing		1	-
105(106-113)	Ignition switch, complete		1	-
106	Ignition switch		1	-
107	Nut		1	-
108	Washer		1	-
109	Dust cover	Old version	1	4700 3790 28
110	Dust cover	New version	1	3382 1001 95
111	Ignition key	Old version	1	4700 9380 86
112	Ignition key	New version	1	3382 1001 96
113	Nut		1	-

Engine, Hatz 1B20 electric start, EPA version

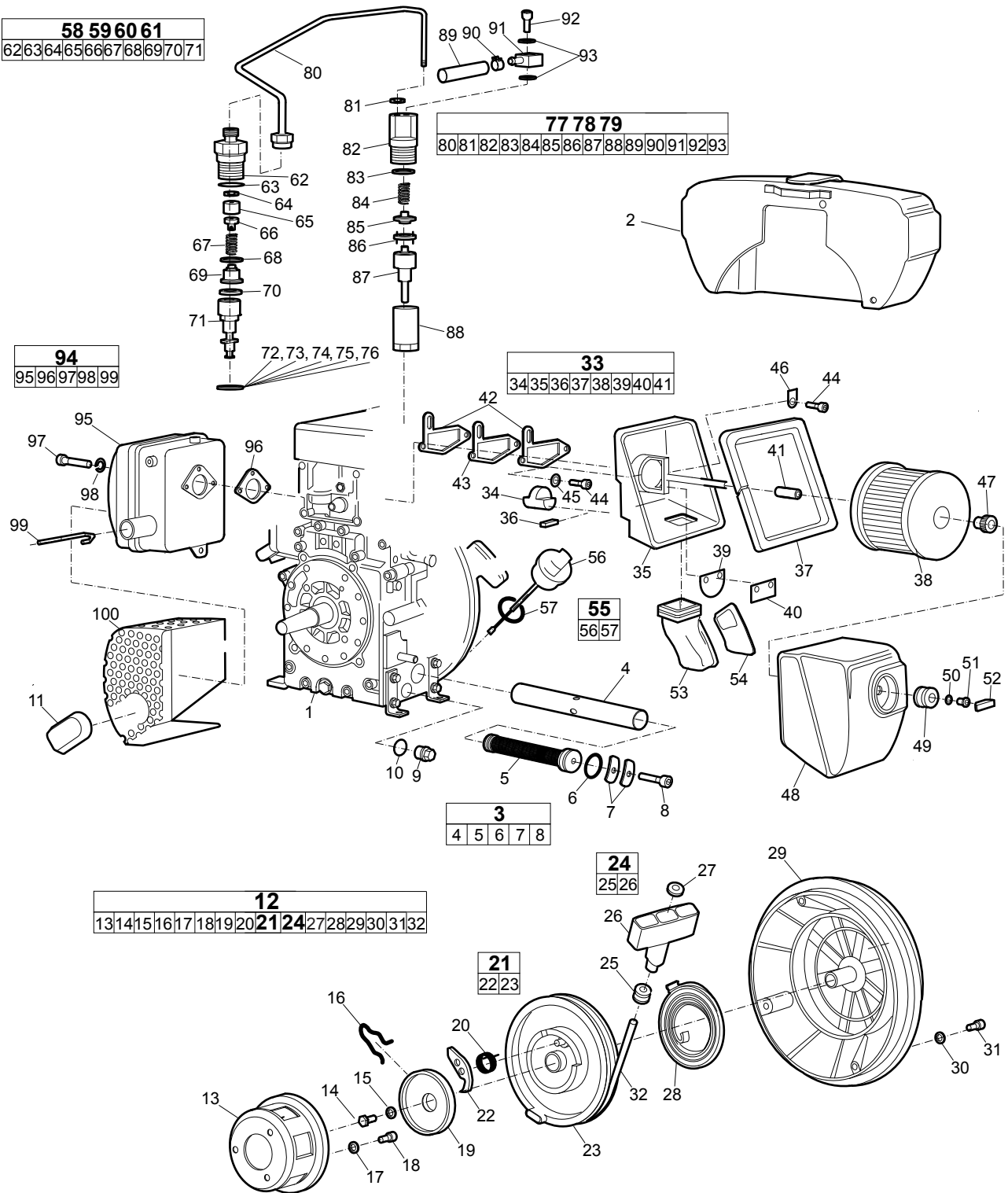


No.	Description	Remark	Quantity	Part number
1	Engine, cpl	Hatz 1B20 EPA (US Environmental Protection Agency) version, for US and Canada market. Consist of item 1 to 113.	1	3382 0122 45
2	Fuel tank	See section "Fuel tank"	1	-
3(4-8)	Oil strainer, complete		1	4700 9370 01
4	Tube		1	-
5	Oil strainer		1	-
6	O-ring		1	3382 1001 43
7	Washer		2	3382 1001 44
8	Screw	M6 x 10 mm	1	-
9	Oil drain plug		1	4700 9370 02
10	O-ring		1	4700 7484 79
11	Exhaust pipe		1	4700 9370 04
12(13-20,21,24,27-32)	Recoil starter, complete		1	4700 9369 82
13	Case		1	4700 9369 99
14	Screw	M6 x 18 mm	1	-
15	Washer	M6	1	-
16	Lock spring		1	4700 9369 91
17	Spring washer	M 6	1	-
18	Screw	M6 x 10 mm	1	-
19	Reel		1	4700 9369 92
20	Spring		1	4700 9369 96
21(22-23)	Start pulley, complete		1	4700 9369 90
22	Ratchet		1	4700 9369 95
23	Start pulley		1	-
24(25-26)	Handle, complete		1	4700 9369 83
25	Sleeve		1	3382 1001 45
26	Handle		1	-
27	Washer	5.3 mm 0.21 in.	1	3382 1001 46
28	Return spring		1	4700 9369 85
29	Housing		1	4700 9369 86
30	Washer	M6	4	-
31	Screw	M6	4	-
32	Starter rope		1	4700 9369 89
33(34-41)	Air filter housing, complete		1	3382 1001 50
34	Plug		1	4700 9370 24
35	Housing		1	-
36	Sealing strip		1	3382 1001 47
37	Sealing strip		1	4700 9408 29
38	Air filter element		1	4700 9370 13
39	Valve plate	Black	1	-
40	Valve plate	Red	1	-
41	Rubber sleeve		1	3382 1001 48
42	Gasket		2	4700 9370 22
43	Insulating flange		1	4700 9370 23
44	Tube		3	-
45	Washer	M8	2	-
46	Washer		1	4700 9370 11
47	Knurled nut	M6	1	4700 9370 14
48	Cover		1	4700 9370 15
49	Rubber sleeve		1	4700 9370 16
50	Shim		1	3382 1001 49

No.	Description	Remark	Quantity	Part number
51	Rivet		1	-
52	Nut		1	4700 9370 17
53	Rubber insert		1	4700 9370 19
54	Cover		1	4700 9370 18
55(56-57)	Oil dipstick, complete		1	4700 9376 08
56	Dipstick		1	-
57	O-ring		1	4700 9454 25
58	Injection pump, complete	Valid from engine serial number 10032xxxxxxx Consist of item 62 to 71.	1	3382 1001 53
59	Injection pump, complete	Valid from engine serial number 10031xxxxxxx Consist of item 62 to 71.	1	4700 9506 07
60	Injection pump, complete	Valid from engine serial number 10030xxxxxxx Consist of item 62 to 71.	1	3382 1001 54
61(62-71)	Injection pump, complete	Valid from engine serial number 10029xxxxxxx Consist of item 62 to 71.	1	4700 9387 53
62	Pump part		1	-
63	Pump part		1	-
64	Pump part		1	-
65	Pump part		1	-
66	Pump part		1	-
67	Pump part		1	-
68	Pump part		1	-
69	Pump part		1	-
70	Pump part		1	-
71	Pump part		1	-
72	O-ring	0.2 mm 0.007 in.	1	4700 9369 77
73	O-ring	0.3 mm 0.011 in.	1	4700 9369 78
74	O-ring	0.4 mm 0.016 in.	1	4700 9369 79
75	O-ring	0.5 mm 0.020 in.	1	4700 9369 80
76	O-ring	0.6 mm 0.023 in.	1	4700 9369 81
77	Injector, complete	Valid from engine serial number 10032xxxxxxx Consist of item 80 to 93.	1	3382 1001 55
78	Injector, complete	Valid from engine serial number 10031xxxxxxx Valid from engine serial number 10030xxxxxxx Consist of item 80 to 93.	1	4700 9505 75
79(80-93)	Injector, complete	Valid from engine serial number 10029xxxxxxx Consist of item 80 to 93.	1	4700 9397 62
80	Injector part		1	-
81	Injector part		1	-
82	Injector part		1	-
83	Injector part		1	-
84	Injector part		1	-
85	Injector part		1	-
86	Injector part		1	-
87	Injector part		1	-
88	Injector part		1	-

No.	Description	Remark	Quantity	Part number
89	Injector part		1	-
90	Injector part		1	-
91	Injector part		1	-
92	Injector part		1	-
93	Injector part		1	-
94(95-99)	Silencer, complete		1	4700 9504 23
95	Silencer		1	-
96	Gasket		1	4700 9454 38
97	Screw	M8 x 25 mm	1	-
98	Washer	M8	1	-
99	Hook		1	3382 1001 51
100	Cover		1	3382 1001 52
101	Starter	12 V	1	4700 9389 35
102(103-104,105)	Startbox, complete		1	4700 9395 88
103	Circuit card		1	-
104	Housing		1	-
105(106-113)	Ignition switch, complete		1	-
106	Ignition switch		1	-
107	Nut		1	-
108	Washer		1	-
109	Dust cover	Old version	1	4700 3790 28
110	Dust cover	New version	1	3382 1001 95
111	Ignition key	Old version	1	4700 9380 86
112	Ignition key	New version	1	3382 1001 96
113	Nut		1	-

Engine, Hatz 1B20 manual start

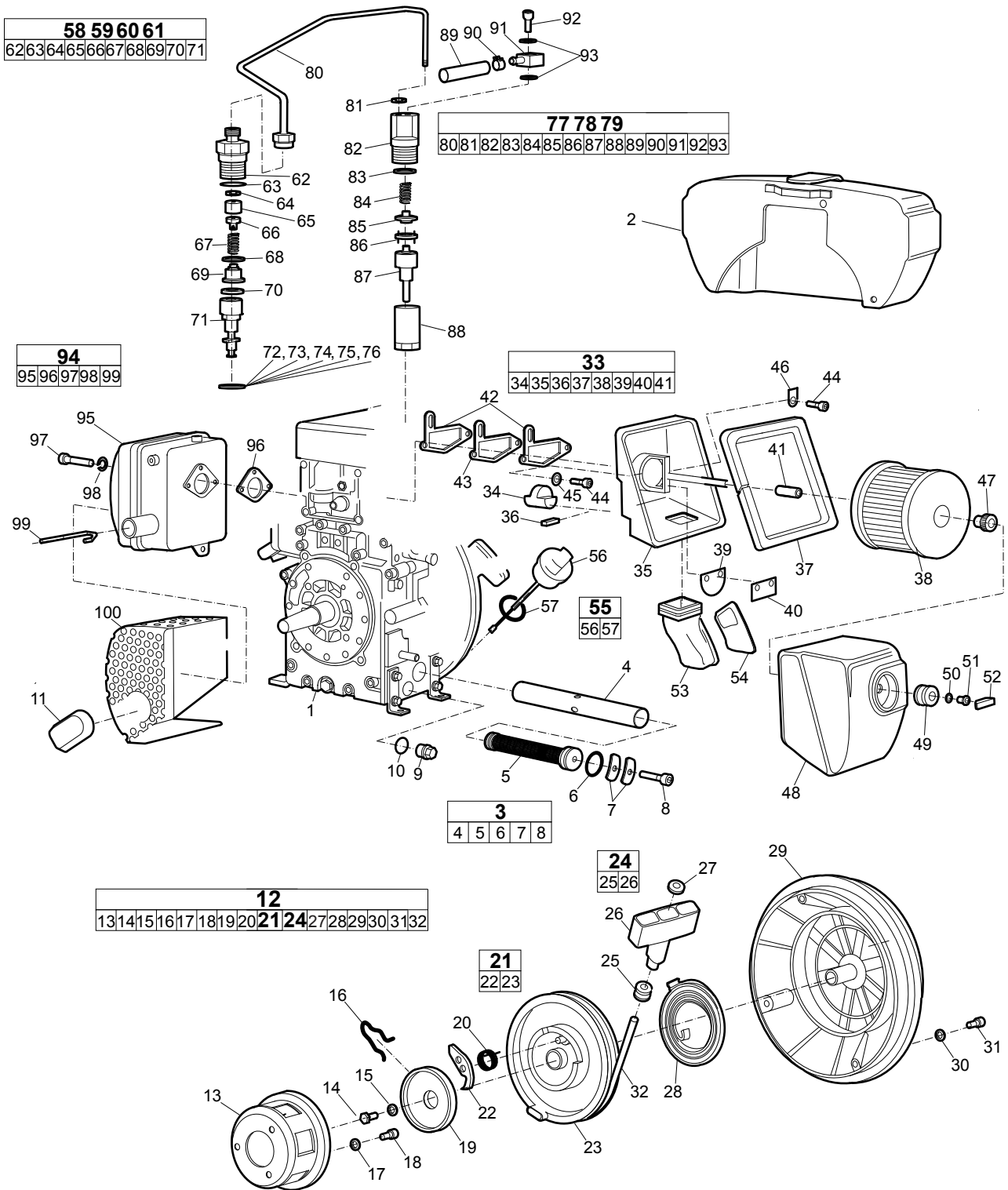


No.	Description	Remark	Quantity	Part number
1	Engine, complete	Hatz 1B20 Consists of items 1 to 100	1	4700 3910 58
2	Fuel tank	See section "Fuel tank"	1	-
3(4-8)	Oil strainer, complete		1	4700 9370 01
4	Tube		1	-
5	Oil strainer		1	-
6	O-ring		1	3382 1001 43
7	Washer		2	3382 1001 44
8	Screw	M6 x 16 mm	1	-
9	Oil drain plug		1	4700 9370 02
10	O-ring		1	4700 7484 79
11	Exhaust pipe		1	4700 9370 04
12(13-20,21,24,27-32)	Recoil starter, complete		1	4700 9369 82
13	Case		1	4700 9369 99
14	Screw	M6 x 18 mm	1	-
15	Washer	M6	1	-
16	Lock spring		1	4700 9369 91
17	Spring washer	M6	1	-
18	Screw	M6 x 10 mm	1	-
19	Reel		1	4700 9369 92
20	Spring		1	4700 9369 96
21(22-23)	Start pulley, complete		1	4700 9369 90
22	Ratchet		1	4700 9369 95
23	Start pulley		1	-
24(25-26)	Handle, complete		1	4700 9369 83
25	Sleeve		1	3382 1001 45
26	Handle		1	-
27	Washer	5.3 mm	1	3382 1001 46
28	Return spring		1	4700 9369 85
29	Housing		1	4700 9369 86
30	Washer	M6	4	-
31	Screw	M6	4	-
32	Starter rope		1	4700 9369 89
33(34-41)	Air filter housing, complete		1	3382 1001 50
34	Plug		1	4700 9370 24
35	Housing		1	-
36	Sealing strip		1	3382 1001 47
37	Sealing strip		1	4700 9408 29
38	Air filter element		1	4700 9370 13
39	Valve plate	Black	1	-
40	Valve plate	Red	1	-
41	Rubber sleeve		1	3382 1001 48
42	Gasket		2	4700 9370 22
43	Insulating flange		1	4700 9370 23
44	Tube		3	-
45	Washer	M8	2	-
46	Washer		1	4700 9370 11
47	Knurled nut	M6	1	4700 9370 14
48	Cover		1	4700 9370 15
49	Rubber sleeve		1	4700 9370 16
50	Shim		1	3382 1001 49
51	Rivet		1	-
52	Wing nut		1	4700 9370 17
53	Rubber insert		1	4700 9370 19

No.	Description	Remark	Quantity	Part number
54	Cover		1	4700 9370 18
55(56-57)	Oil dipstick, complete		1	4700 9376 08
56	Dipstick		1	-
57	O-ring		1	4700 9454 25
58	Injection pump, complete	Valid from engine serial number 10032xxxxxxx Consist of item 62 to 71.	1	3382 1001 53
59	Injection pump, complete	Valid from engine serial number 10031xxxxxxx Consist of item 62 to 71.	1	4700 9506 07
60	Injection pump, complete	Valid from engine serial number 10030xxxxxxx Consist of item 62 to 71.	1	3382 1001 54
61(62-71)	Injection pump, complete	Valid from engine serial number 10029xxxxxxx Consist of item 62 to 71.	1	4700 9387 53
62	Pump part		1	-
63	Pump part		1	-
64	Pump part		1	-
65	Pump part		1	-
66	Pump part		1	-
67	Pump part		1	-
68	Pump part		1	-
69	Pump part		1	-
70	Pump part		1	-
71	Pump part		1	-
72	O-ring	0.2 mm 0.007 in.	1	4700 9369 77
73	O-ring	0.3 mm 0.011 in.	1	4700 9369 78
74	O-ring	0.4 mm 0.016 in.	1	4700 9369 79
75	O-ring	0.5 mm 0.020 in.	1	4700 9369 80
76	O-ring	0.6 mm 0.023 in.	1	4700 9369 81
77	Injector, complete	Valid from engine serial number 10032xxxxxxx Consist of item 80 to 93.	1	3382 1001 55
78	Injector, complete	Valid from engine serial number 10031xxxxxxx Valid from engine serial number 10030xxxxxxx Consist of item 80 to 93.	1	4700 9505 75
79(80-93)	Injector, complete	Valid from engine serial number 10029xxxxxxx	1	4700 9397 62
80	Injector part		1	-
81	Injector part		1	-
82	Injector part		1	-
83	Injector part		1	-
84	Injector part		1	-
85	Injector part		1	-
86	Injector part		1	-
87	Injector part		1	-
88	Injector part		1	-
89	Injector part		1	-
90	Injector part		1	-
91	Injector part		1	-
92	Injector part		1	-

No.	Description	Remark	Quantity	Part number
93	Injector part		1	-
94(95-99)	Silencer, complete		1	4700 9504 23
95	Silencer		1	-
96	Gasket		1	4700 9454 38
97	Screw	M8 x 25 mm	1	-
98	Washer	M8	1	-
99	Hook		1	3382 1001 51
100	Cover		1	3382 1001 52

Engine, Hatz 1B20 manual start, EPA version

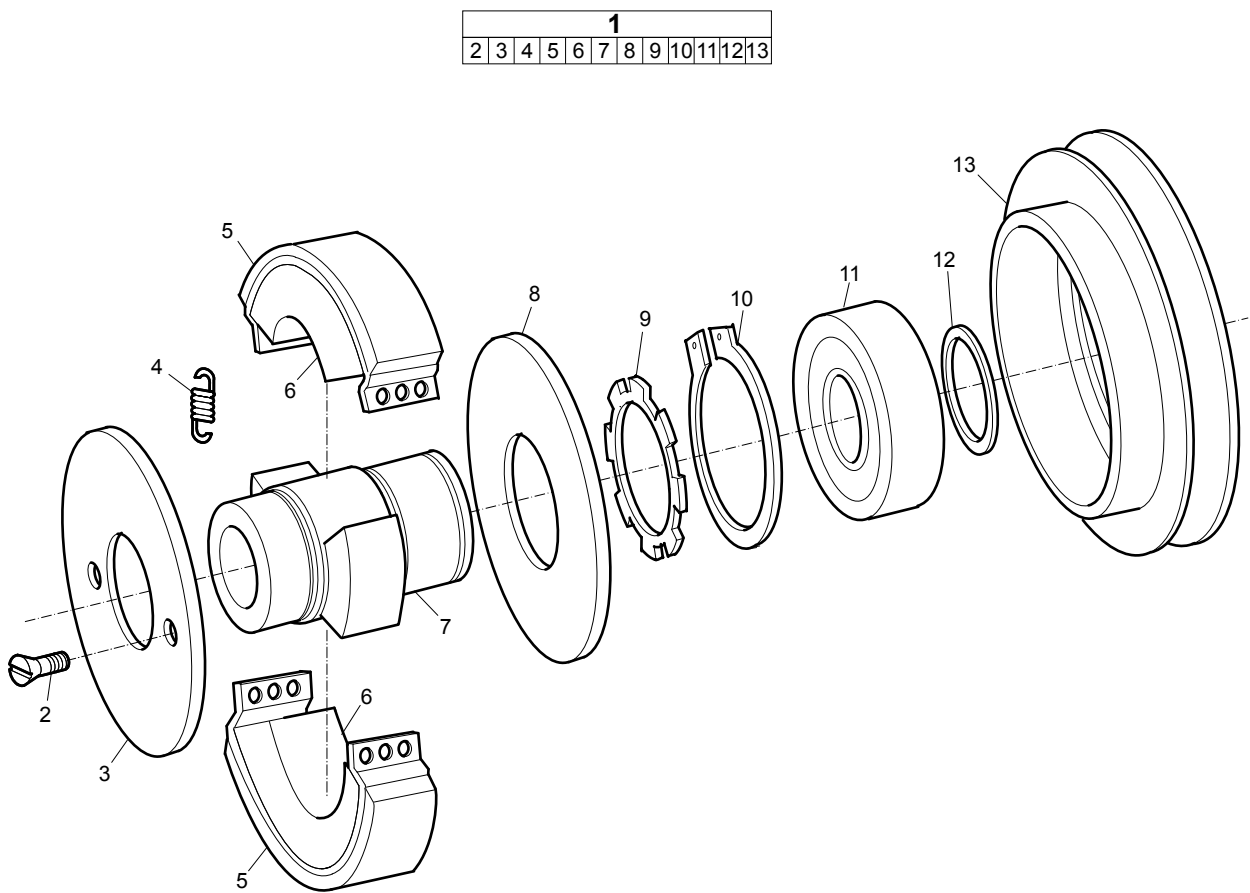


No.	Description	Remark	Quantity	Part number
1	Engine, complete	Hatz 1B20 EPA (US Environmental Protection Agency) version, for US and Canada market. Consists of items 1 to 100	1	3382 0122 42
2	Fuel tank	See section "Fuel tank"	1	-
3(4-8)	Oil strainer, complete		1	4700 9370 01
4	Tube		1	-
5	Oil strainer		1	-
6	O-ring		1	3382 1001 43
7	Washer		2	3382 1001 44
8	Screw	M6 x 16 mm	1	-
9	Oil drain plug		1	4700 9370 02
10	O-ring		1	4700 7484 79
11	Exhaust pipe		1	4700 9370 04
12(13-20,21,24,27-32)	Recoil starter, complete		1	4700 9369 82
13	Case		1	4700 9369 99
14	Screw	M6 x 18 mm	1	-
15	Washer	M6	1	-
16	Lock spring		1	4700 9369 91
17	Spring washer	M6	1	-
18	Screw	M6 x 10 mm	1	-
19	Reel		1	4700 9369 92
20	Spring		1	4700 9369 96
21(22-23)	Start pulley, complete		1	4700 9369 90
22	Ratchet		1	4700 9369 95
23	Start pulley		1	-
24(25-26)	Handle, complete		1	4700 9369 83
25	Sleeve		1	3382 1001 45
26	Handle		1	-
27	Washer	5.3 mm	1	3382 1001 46
28	Return spring		1	4700 9369 85
29	Housing		1	4700 9369 86
30	Washer	M6	4	-
31	Screw	M6	4	-
32	Starter rope		1	4700 9369 89
33(34-41)	Air filter housing, complete		1	3382 1001 50
34	Plug		1	4700 9370 24
35	Housing		1	-
36	Sealing strip		1	3382 1001 47
37	Sealing strip		1	4700 9408 29
38	Air filter element		1	4700 9370 13
39	Valve plate	Black	1	-
40	Valve plate	Red	1	-
41	Rubber sleeve		1	3382 1001 48
42	Gasket		2	4700 9370 22
43	Insulating flange		1	4700 9370 23
44	Tube		3	-
45	Washer	M8	2	-
46	Washer		1	4700 9370 11
47	Knurled nut	M6	1	4700 9370 14
48	Cover		1	4700 9370 15
49	Rubber sleeve		1	4700 9370 16
50	Shim		1	3382 1001 49

No.	Description	Remark	Quantity	Part number
51	Rivet		1	-
52	Wing nut		1	4700 9370 18
53	Rubber insert		1	4700 9370 19
54	Wing nut		1	4700 9370 18
55(56-57)	Oil dipstick, complete		1	4700 9376 08
56	Dipstick		1	-
57	O-ring		1	4700 9454 25
58	Injection pump, complete	Valid from engine serial number 10032xxxxxxx Consist of item 62 to 71.	1	3382 1001 53
59	Injection pump, complete	Valid from engine serial number 10031xxxxxxx Consist of item 62 to 71.	1	4700 9506 07
60	Injection pump, complete	Valid from engine serial number 10030xxxxxxx Consist of item 62 to 71.	1	3382 1001 54
61(62-71)	Injection pump, complete	Valid from engine serial number 10029xxxxxxx Consist of item 62 to 71.	1	4700 9387 53
62	Pump part		1	-
63	Pump part		1	-
64	Pump part		1	-
65	Pump part		1	-
66	Pump part		1	-
67	Pump part		1	-
68	Pump part		1	-
69	Pump part		1	-
70	Pump part		1	-
71	Pump part		1	-
72	O-ring	0.2 mm 0.007 in.	1	4700 9369 77
73	O-ring	0.3 mm 0.011 in.	1	4700 9369 78
74	O-ring	0.4 mm 0.016 in.	1	4700 9369 79
75	O-ring	0.5 mm 0.020 in.	1	4700 9369 80
76	O-ring	0.6 mm 0.023 in.	1	4700 9369 81
77	Injector, complete	Valid from engine serial number 10032xxxxxxx Consist of item 80 to 93.	1	3382 1001 55
78	Injector, complete	Valid from engine serial number 10031xxxxxxx Valid from engine serial number 10030xxxxxxx Consist of item 80 to 93.	1	4700 9505 75
79(80-93)	Injector, complete	Valid from engine serial number 10029xxxxxxx	1	4700 9397 62
80	Injector part		1	-
81	Injector part		1	-
82	Injector part		1	-
83	Injector part		1	-
84	Injector part		1	-
85	Injector part		1	-
86	Injector part		1	-
87	Injector part		1	-
88	Injector part		1	-
89	Injector part		1	-

No.	Description	Remark	Quantity	Part number
90	Injector part		1	-
91	Injector part		1	-
92	Injector part		1	-
93	Injector part		1	-
94(95-99)	Silencer, complete		1	4700 9504 23
95	Silencer		1	-
96	Gasket		1	4700 9454 38
97	Screw	M8 x 25 mm	1	-
98	Washer	M8	1	-
99	Hook		1	3382 1001 51
100	Cover		1	3382 1001 52

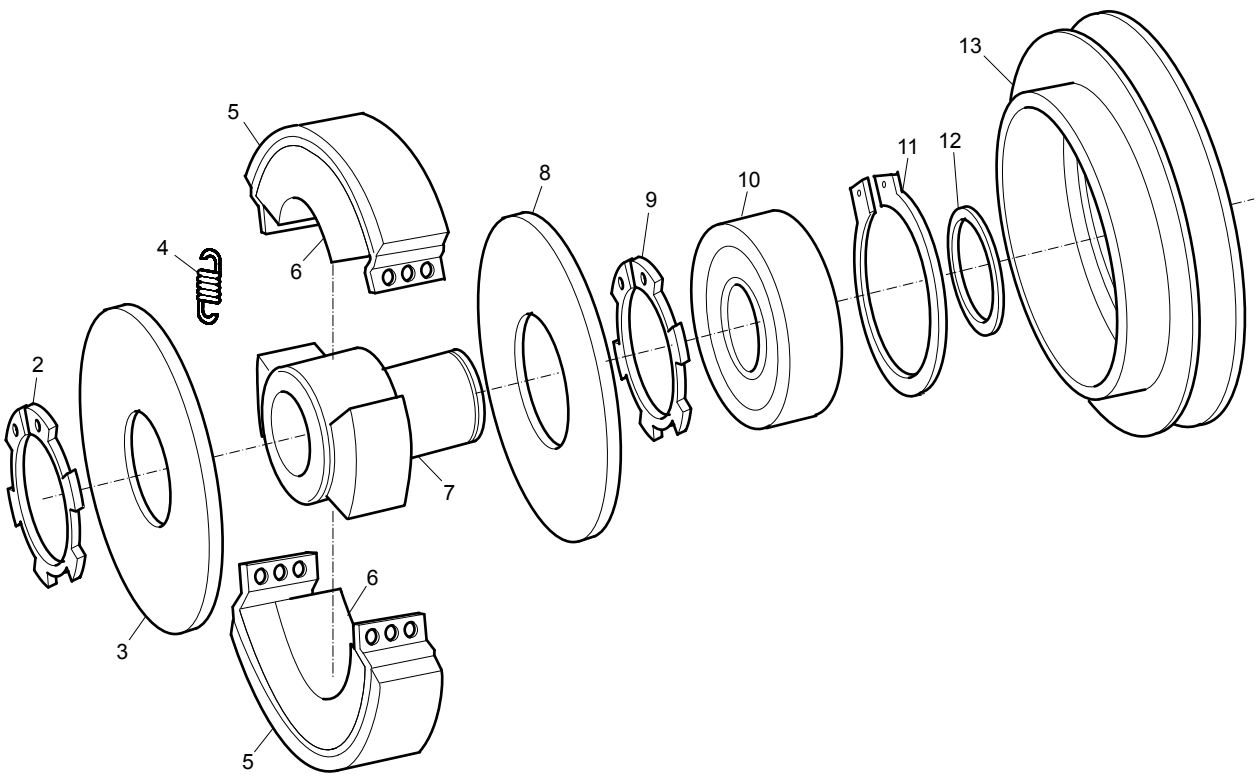
Centrifugal clutch, Honda



No.	Description	Remark	Quantity	Part number
1(2-13)	Centrifugal clutch, complete		1	4700 2811 24
2	Screw	M4 x 10 mm 4.8 A2K	2	4700 5350 02
3	Cover		1	3382 0101 84
4	Spring		2	4700 9293 56
5	Clutch lining		2	4700 9293 60
6	Weight		2	4700 2392 90
7	Hub		1	4700 9358 07
8	Cover		1	4700 9358 08
9	Retaining ring		1	4700 2397 34
10	Retaining ring		1	4700 1510 19
11	Ball bearing		1	4700 1111 80
12	Snap ring		1	4700 1500 12
13	Pulley		1	4700 9358 03

Centrifugal clutch, Hatz electric start

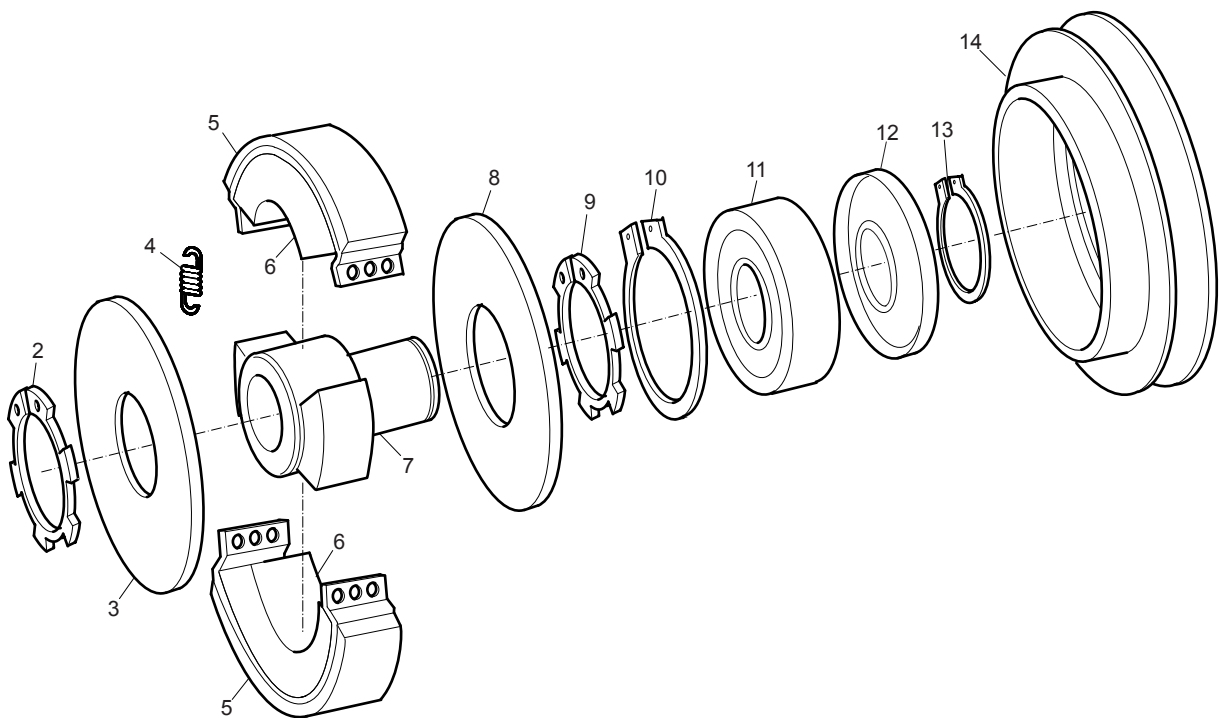
1												
2	3	4	5	6	7	8	9	10	11	12	13	



No.	Description	Remark	Quantity	Part number
1(2-13)	Centrifugal clutch, complete		1	4700 3776 20
2	Retaining ring		1	4700 2397 34
3	Cover		1	4700 2397 68
4	Spring		4	4700 9375 27
5	Clutch lining		2	4700 2386 06
6	Centrifugal weight		2	4700 9403 72
7	Hub		1	4700 9409 32
8	Cover		1	4700 2397 68
9	Retaining ring		1	4700 2397 34
10	Ball bearing		1	4700 9403 71
11	Retaining ring		1	4700 9370 35
12	Retaining ring		1	4700 9370 36
13	Pulley		1	4700 9403 70

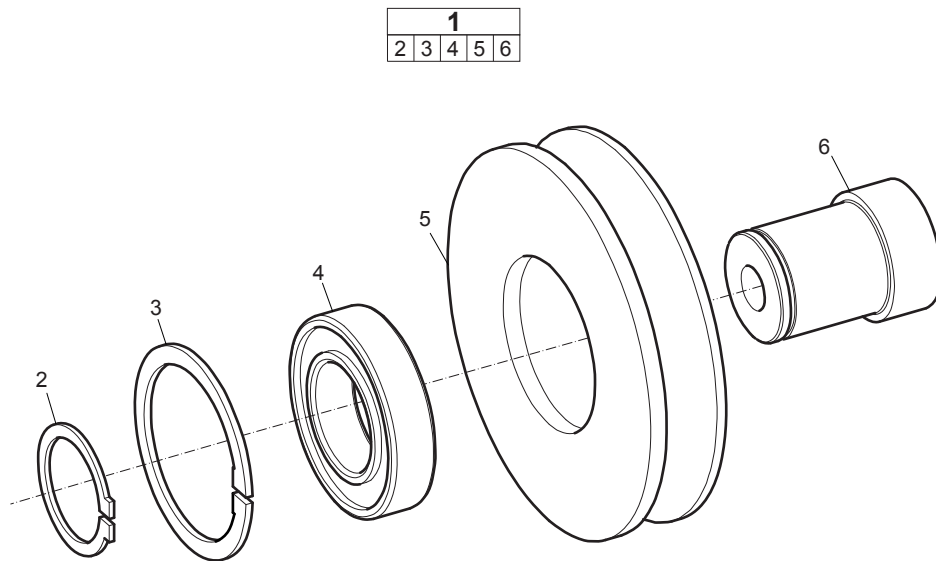
Centrifugal clutch, Hatz manual start

1													
2	3	4	5	6	7	8	9	10	11	12	13	14	



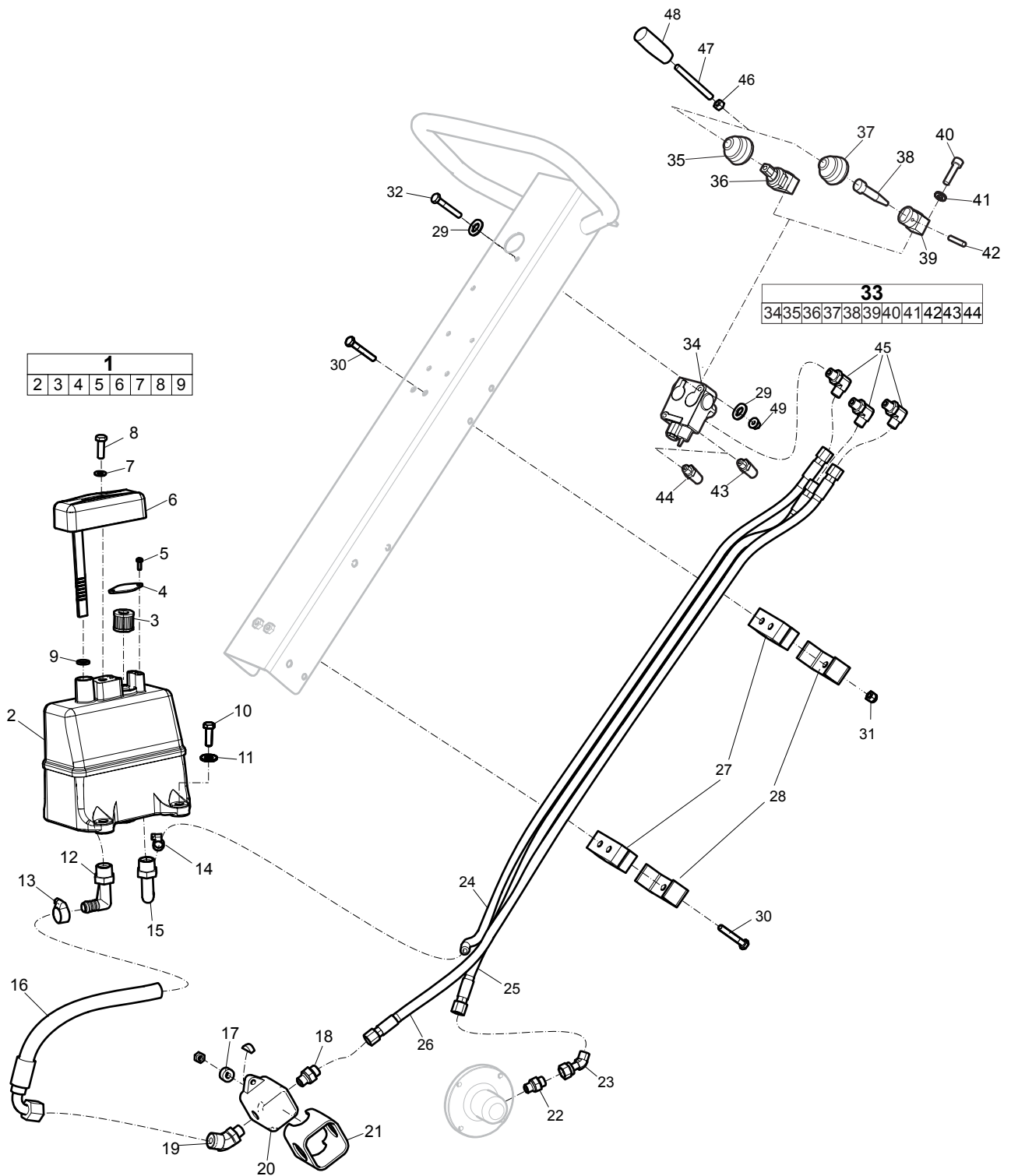
No.	Description	Remark	Quantity	Part number
1(2-14)	Centrifugal clutch, complete		1	4700 2827 34
2	Retaining ring		1	4700 2397 34
3	Cover		1	4700 9358 08
4	Spring		4	4700 2397 32
5	Clutch lining		2	4700 2386 06
6	Centrifugal weight		2	4700 9124 77
7	Hub		1	4700 9370 31
8	Cover		1	4700 2398 57
9	Retaining ring		1	4700 2395 93
10	Retaining ring		1	4700 1510 23
11	Ball bearing		1	4700 1111 78
12	Nilos ring		1	4700 9387 27
13	Retaining ring		1	4700 1500 15
14	V-belt pulley		1	3382 1002 94

Belt tightner



No.	Description	Remark	Quantity	Part number
1(2-6)	Belt tightner, complete		1	4700 2808 35
2	Snap ring		1	4700 1500 09
3	Snap ring		1	4700 1510 17
4	Ball bearing		1	4700 1111 14
5	V-belt pulley		1	4700 2808 36
6	Shaft		1	4700 2808 37

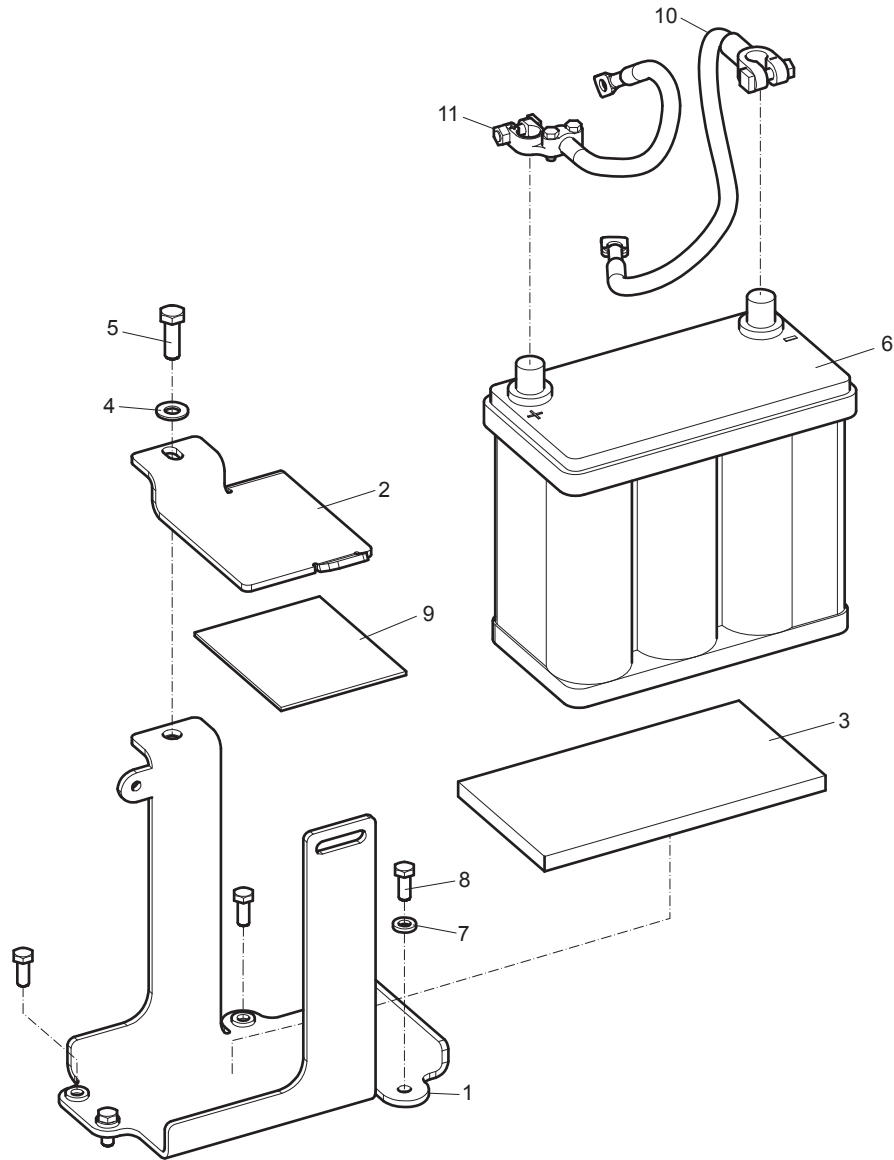
Hydraulic system



No.	Description	Remark	Quantity	Part number
1(2-9)	Hydraulic oil tank, complete		1	4700 3766 77
2	Hydraulic oil tank		1	-
3	Air filter		1	4700 3815 66
4	Holder		1	4700 3815 63
5	Screw	K50 x 12 mm Type KX-PT	2	-
6	Cover		1	4700 3813 85
7	Washer	8.4 x 16 x 1.5 mm 0.33 x 0.63 x 0.06 in. 300 HV	1	-
8	Screw	M8 x 25 mm 8.8 A2K	1	-
9	O-ring		1	-
10	Screw	M10 x 30 mm 8.8 A3K	4	-
11	Washer	10.5 x 22 x 2 mm 0.41 x 0.87 x 0.08 in. 300 HV	4	-
12	Adapter		1	4700 3766 75
13	Hose clamp		1	4700 3131 08
14	Hose clamp		1	4700 3130 03
15	Adapter		1	4700 3766 74
16	Hydraulic hose		1	4700 3953 73
17	Sleeve		1	4700 9288 94
18	Adapter		1	4700 7915 37
19	Elbow		1	4700 7922 53
20	Hydraulic pump		1	4700 3835 62
21	Cover		1	4700 2805 40
22	Adapter		1	4700 7915 37
23	Elbow	45°	1	4700 7914 03
24	Hydraulic hose	Connected to port "T"	1	4700 3953 72
25	Hydraulic hose	Connected to port "P"	1	4700 4842 43
26	Hydraulic hose	Connected to port "A"	1	4700 4839 06
27	Rubber block		2	4700 2805 34
28	Bracket		2	3382 0101 82
29	Washer	6.4 x 12 x 1.5 mm 0.25 x 0.47 x 0.06 in. 300 HV	4	-
30	Screw	M8 x 50 mm 8.8 A2K	4	-
31	Lock nut	M8	2	-
32	Screw	M6 x 50 mm 8.8 A2K	2	-
33(34-44)	Valve, complete		1	4700 2829 93
34	Valve body		1	-
35	Rubber cover	Old version	1	4700 9365 95
36	Lever housing	Old version	1	4700 9379 24
37	Rubber cover	New version For valve, complete marked with "Caproni".	1	3382 1002 71
38	Lever	New version For valve, complete marked with "Caproni".	1	3382 1002 70
39	Lever housing	New version For valve, complete marked with "Caproni".	1	3382 1002 68
40	Screw	New version For valve, complete marked with "Caproni".	2	3382 1002 72
41	Washer	New version For valve, complete marked with "Caproni".	4	3382 1002 73
42	Pin	New version For valve, complete marked with "Caproni".	1	3382 1002 69
43	Measuring nipple	Old version	1	4700 9381 63
44	Measuring nipple	New version For valve, complete marked with "Caproni".	1	3382 1002 88
45	Elbow 90	With O-ring	3	4700 7913 97
46	Nut	M8 A2K	1	-

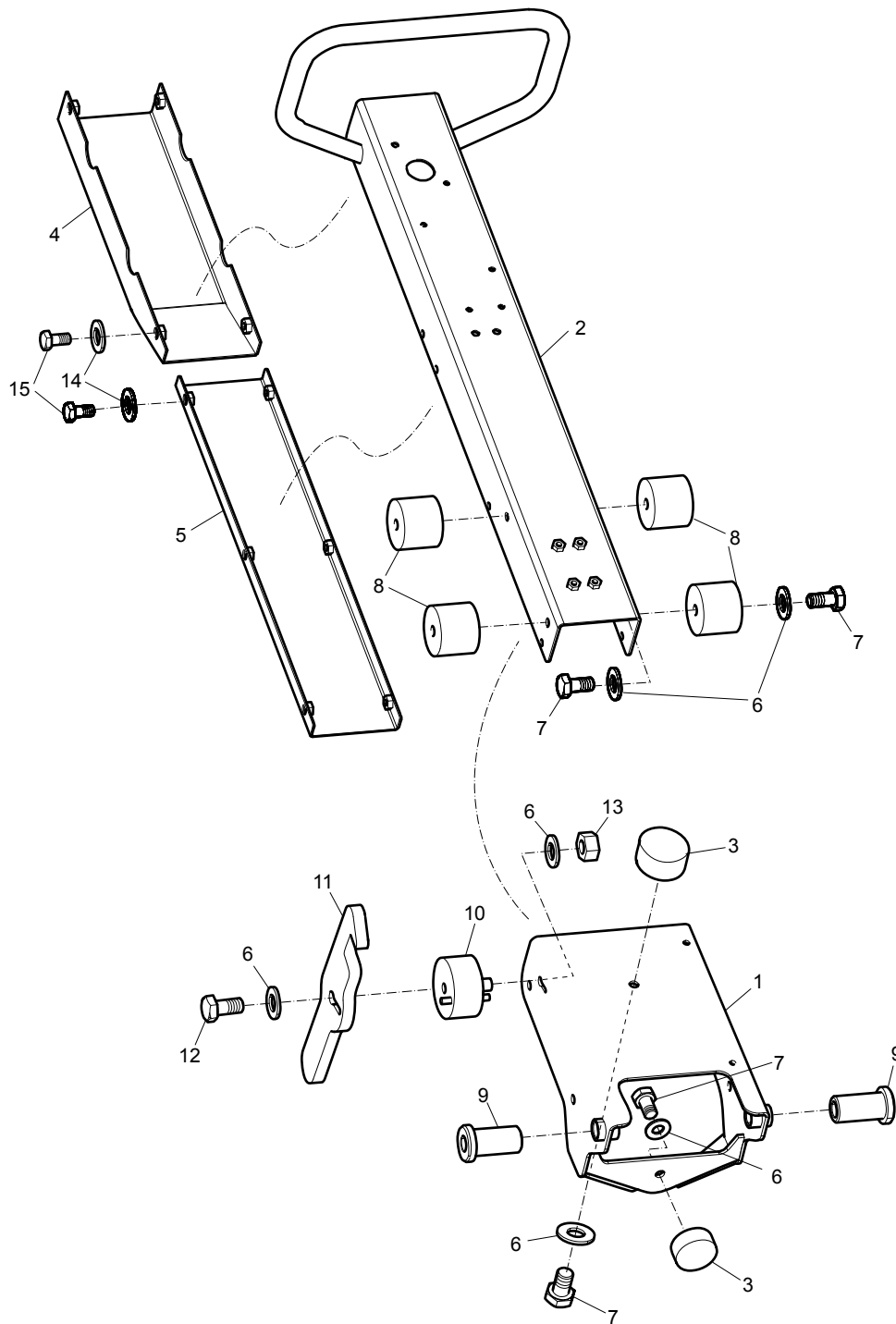
No.	Description	Remark	Quantity	Part number
47	Rod		1	3382 0104 89
48	Grab handle		1	4700 9038 21
49	Nut	M6 ISO7040	2	-

Battery installation



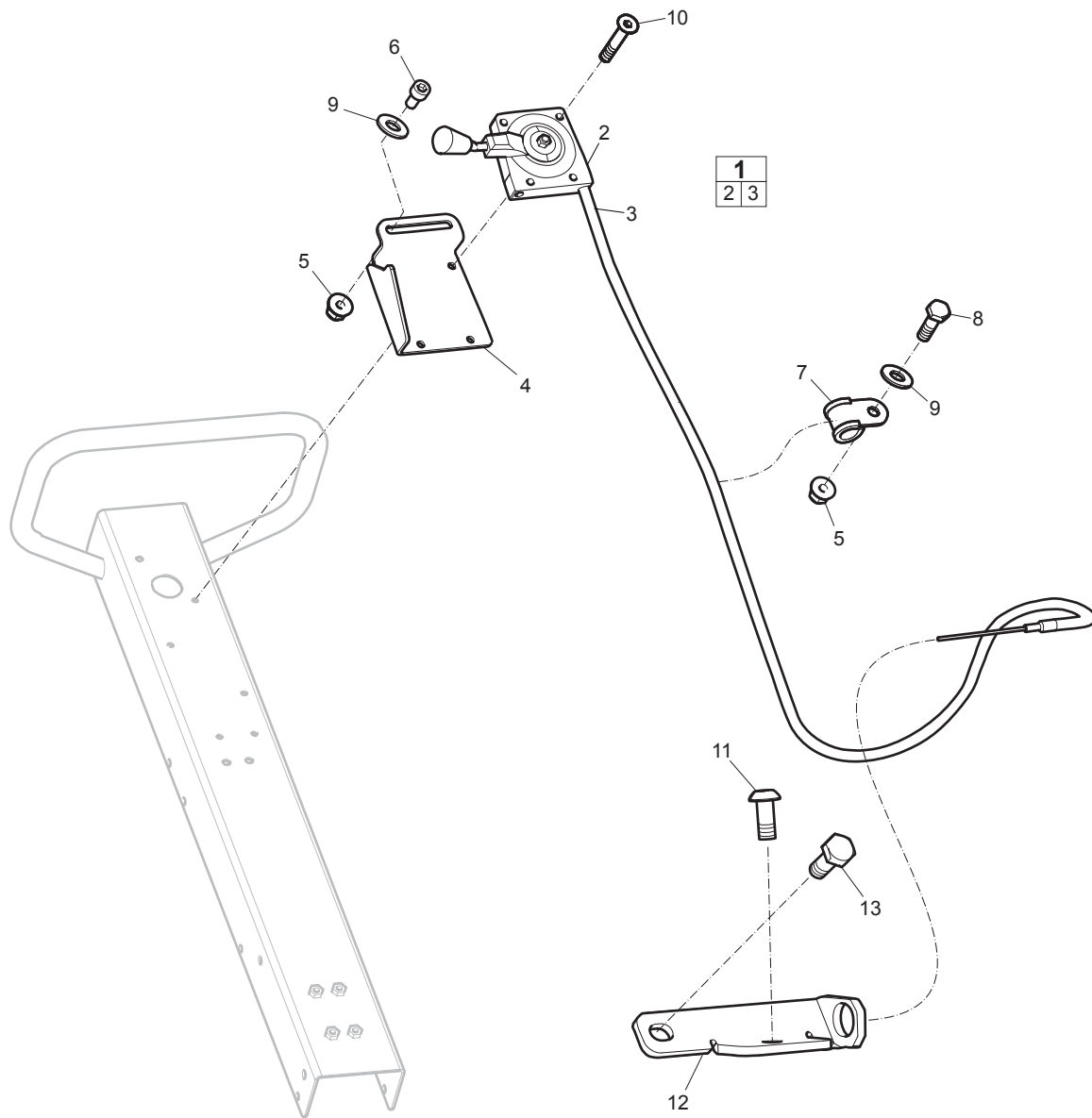
No.	Description	Remark	Quantity	Part number
1	Holder		1	4700 3958 79
2	Bracket		1	4700 3958 78
3	Insulation		1	4700 3956 87
4	Washer	10.5 x 22 x 2 mm 0.41 x 0.87 x 0.08 in. 300 HV	1	-
5	Screw	M10 x 35 mm 8.8 A3K	1	-
6	Battery		1	4700 3787 19
7	Washer	8.4 x 16 x 3 mm 0.33 x 0.63 x 0.12 in. 300 HV	4	-
8	Screw	M8 x 20 mm 8.8 A2K	4	-
9	Rubber cloth		1	4700 3959 98
10	Battery cable	Connected to negative terminal of battery	1	4700 7927 17
11	Battery cable	Connected to positive terminal of battery	1	4700 7922 34

Handle



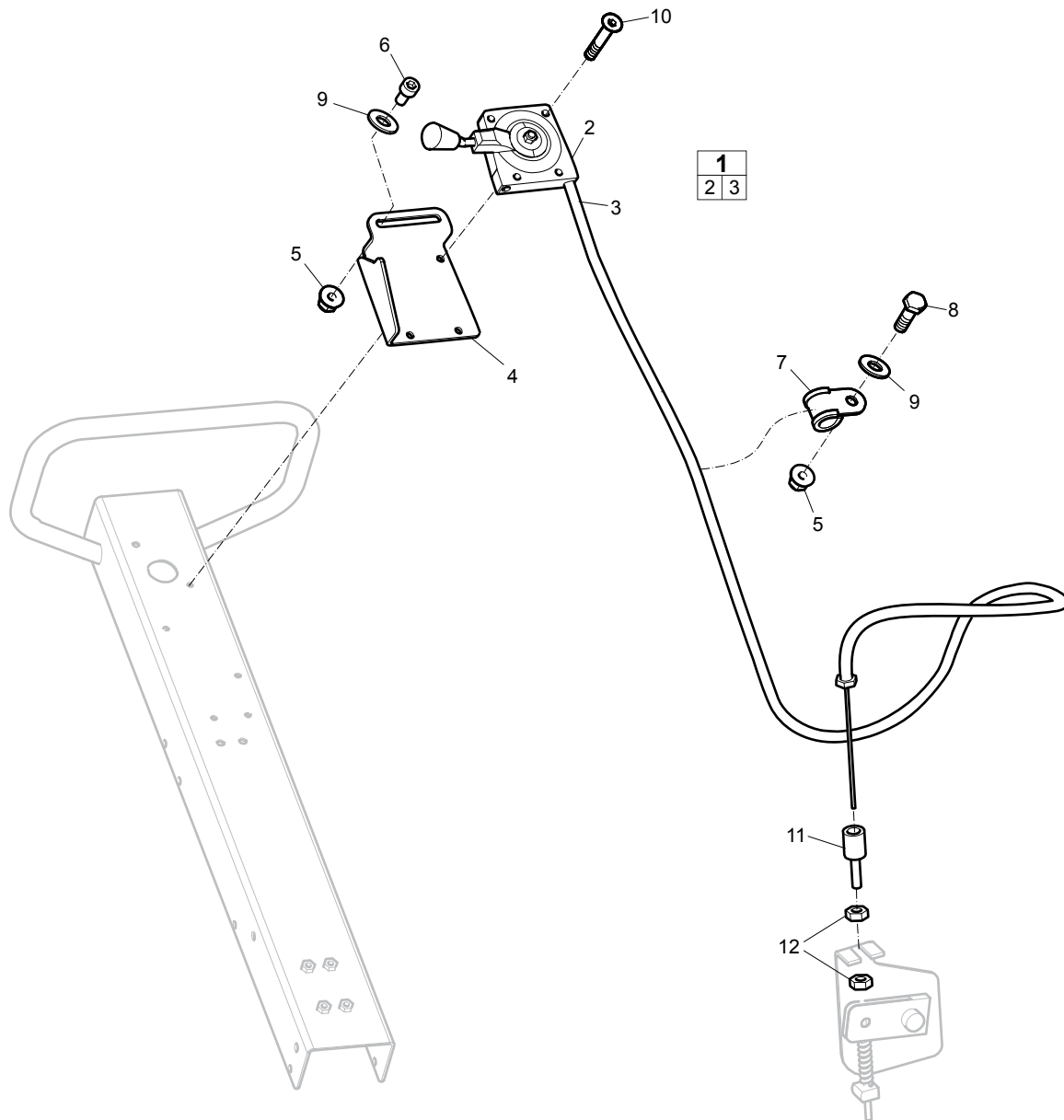
No.	Description	Remark	Quantity	Part number
1	Handle bracket		1	3382 0104 55
2	Handle		1	3382 0104 56
3	Shock absorber		2	4700 7913 73
4	Cover	Upper	1	3382 0104 57
5	Cover	Lower	1	3382 0104 58
6	Washer	10.5 x 22 x 2 mm 0.41 x 0.87 x 0.08 in. 300 HV	12	-
7	Screw	M10 x 16 mm 8.8 A3K	10	-
8	Shock absorber		4	3382 0101 83
9	Bushing		2	3382 0104 59
10	Shock absorber		1	4700 3853 87
11	Hook		1	4700 3824 96
12	Screw	M10 x 20 mm 8.8 A3K	1	-
13	Nut	M10 A3K	1	-
14	Washer	8.4 x 16 x 1.5 mm 0.33 x 0.63 x 0.06 in. 300 HV	10	-
15	Screw	M8 x 16 mm 8.8 A2K	10	-

Throttle control, Honda



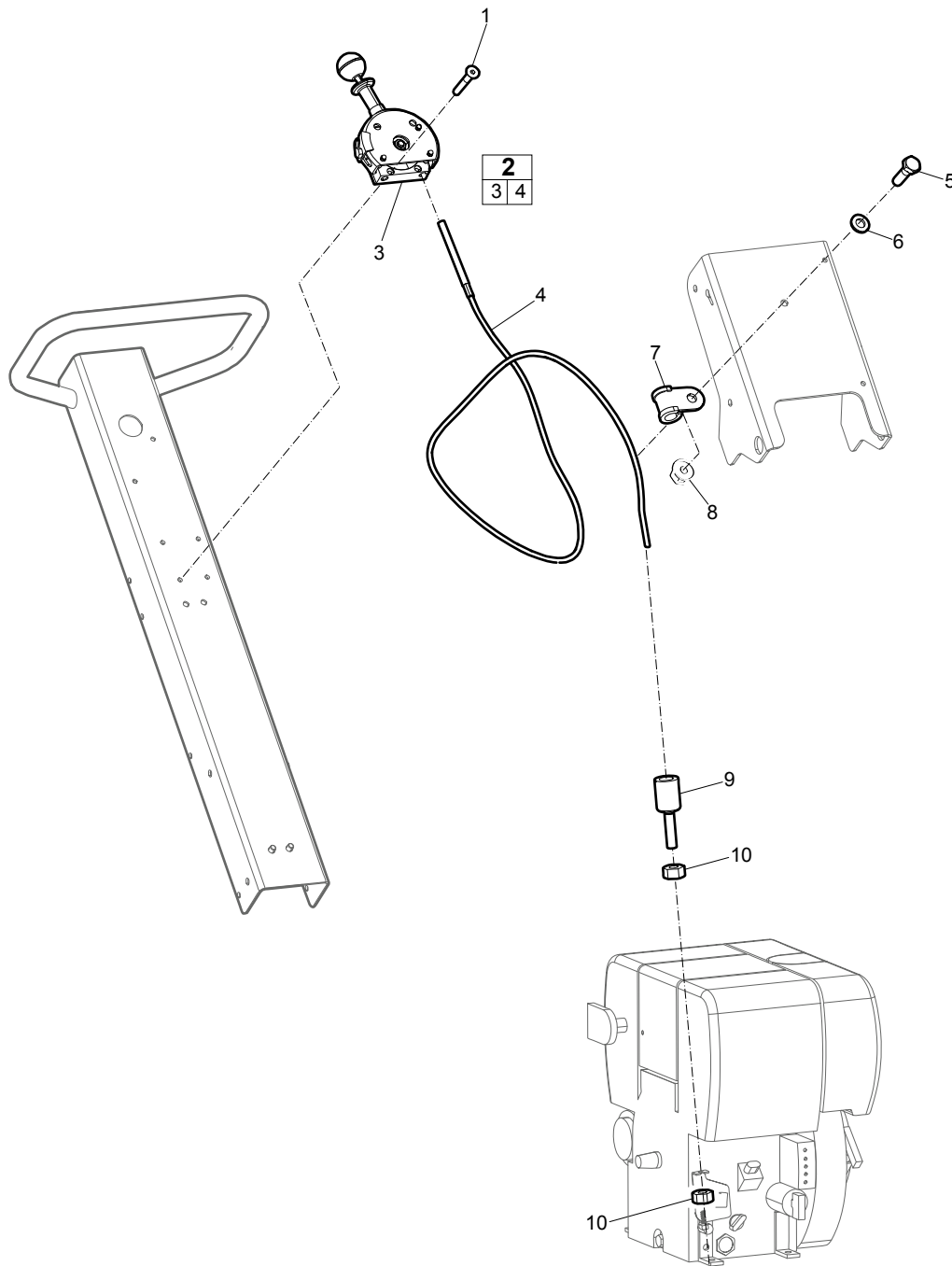
No.	Description	Remark	Quantity	Part number
1(2-3)	Throttle control, complete		1	4700 3879 87
2	Throttle handle		1	4700 4550 19
3	Throttle cable		1	4700 3879 83
4	Bracket		1	4812 0701 15
5	Nut	M6 x 1 mm A2K	3	-
6	Screw	M6 x 16 mm 8.8 A2K	1	-
7	Clamp		2	4700 9210 65
8	Screw	M6 x 20 mm 8.8 A2K	2	-
9	Washer	6.4 x 12 x 1.5 mm 0.25 x 0.47 x 0.06 in. 300 HV	3	-
10	Screw	M5 x 30 mm A2-70	4	-
11	Screw	M5 x 12 mm 10.9	1	-
12	Bracket		1	4700 3879 58
13	Screw	M6 x 16 mm 8.8 A2K	1	-

Throttle control, Hatz, Non EPA version



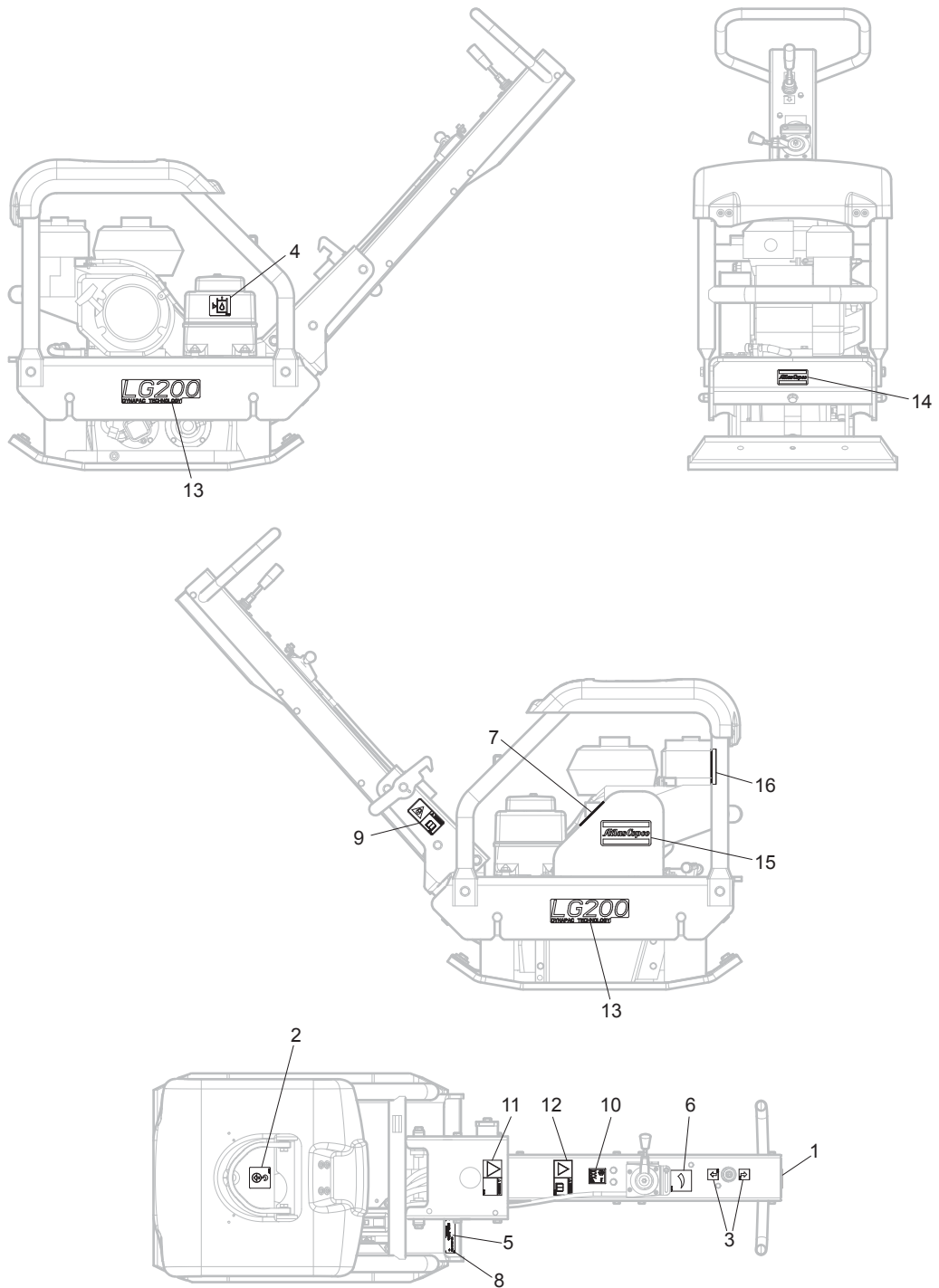
No.	Description	Remark	Quantity	Part number
1(2-3)	Throttle control, complete		1	4700 3807 09
2	Throttle handle		1	4700 4550 19
3	Throttle cable		1	4700 3807 10
4	Bracket		1	4812 0701 15
5	Nut	M6 x 1 mm A2K	3	-
6	Screw	M6 x 16 mm 8.8 A2K	1	-
7	Clamp		2	4700 9210 65
8	Screw	M6 x 20 mm 8.8 A2K	2	-
9	Washer	6.4 x 12 x 1.5 mm 0.25 x 0.47 x 0.06 in. 300 HV	3	-
10	Screw	M5 x 30 mm A2-70	4	-
11	Nipple		1	4700 2841 07
12	Nut	M6 A2K	2	-

Throttle control, Hatz, EPA version



No.	Description	Remark	Quantity	Part number
1	Screw	M5 x 30 mm A2-70	4	-
2(3-4)	Throttle control, complete	EPA (US Environmental Protection Agency) throttle control with three fixed positions.	1	3382 0121 19
3	Handle		1	-
4	Throttle cable		1	3382 1003 01
5	Screw	M6 x 20 mm 8.8 A2K	2	-
6	Washer	6.4 x 12 x 1.5 mm 0.25 x 0.47 x 0.06 in. 300 HV	2	-
7	Clamp		2	4700 9210 65
8	Nut	M6 x 1 mm A2K	2	4700 9022 85
9	Nipple		1	4700 2841 07
10	Nut	M6 A2K	2	-

Labels



No.	Description	Remark	Quantity	Part number
1	Label	Ear protection	1	4700 2818 98
2	Label	Lift point	1	4700 3575 87
3	Label	Direction	2	4700 2842 78
4	Label	Hydraulic oil level	1	4700 2723 73
5	Data plate		1	-
6	Label	Engine speed	1	4700 2842 85
7	Safety label	Rotating V-belts	1	4700 9038 32
8	Drive screw		4	-
9	Safety label	Lock handle	1	4700 7913 66
10	Sound power level		1	4700 7912 93
11	Safety label	Crush zone	1	4700 9047 85
12	Safety label	Read the Safety and operating instructions	1	4700 9046 80
13	Product label	"LG 200"	1	3382 0101 79
14	Product label	"Atlas Copco"	1	3382 0101 78
15	Product label	"Atlas Copco"	1	3382 0100 40
16	Safety label	Hot surface	1	4700 9034 24

Kits

One year service kit

One year service kit, Honda

Part number 3382 1000 41

Description	Remark	Quantity	Part number
Air filter		5	4700 2390 64
Gasket	For oil drain plug.	1	4700 2383 03
Starting rope		1	4700 2393 74
Spark plug		1	4700 2395 65
V-belt	See section "Engine installation".	1	4700 2813 45
Gasket	For valve cover.	1	4700 2383 01

One year service kit, Hatz electric start

Part number 3382 1000 23

Description	Remark	Quantity	Part number
Air filter		5	4700 9370 13
Fuel filter		5	4700 9396 18
Gasket	For oil drain plug.	1	4700 9370 03
Starting rope		1	4700 9369 89
V-belt	See section "Engine installation".	1	4700 2812 49
Gasket	For valve cover.	1	4700 9397 68

One year service kit, Hatz manual start

Part number 3382 1003 02

Description	Remark	Quantity	Part number
Air filter		5	4700 9370 13
Fuel filter		5	4700 9396 18
Gasket	For oil drain plug.	1	4700 9370 03
Starting rope		1	4700 9369 89
V-belt	See section "Engine installation".	1	4700 2813 36
Gasket	For valve cover.	1	4700 9397 68

Shock absorber repair kit

Description	Remark	Quantity	Part number
Shock absorber repair kit		1	3382 1000 30
Shock absorber	For ground plate. See section "Ground plate and eccentric element installation".	4	4700 2807 50
Washer	13 x 24 x 2 mm 0.51 x 0.98 x 0.08 in. 300 HV See section "Engine plate".	8	-
Nut	M12 See section "Engine plate".	4	-
Nut	M12 A3K See section "Ground plate and eccentric element installation".	4	-
Shock absorber	For handle. See section "Handle".	4	3382 0101 83
Screw	M10 x 16 mm 8.8 A3K See section "Handle".	8	-
Washer	10.5 x 22 x 2 mm 0.41 x 0.87 x 0.08 in. 300 HV See section "Handle".	6	-
Shock absorber	See section "Handle".	1	4700 7913 73
Nut	M10 A3K See section "Handle".	1	-
Shock absorber	For hook. See section "Handle".	1	4700 3853 87
Screw	M10 x 20 mm 8.8 A3K See section "Handle".	1	-

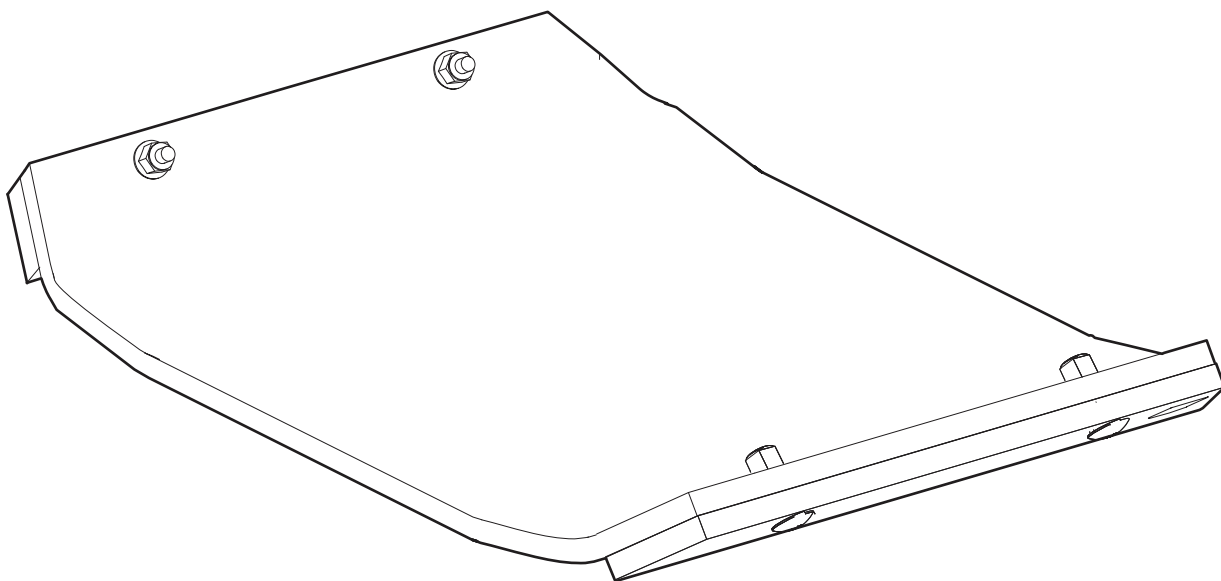
Eccentric element repair kit

Description	Remark	Quantity	Part number
Eccentric element repair kit		1	3382 1000 36
Ball bearing	See section "Eccentric element".	4	4700 9033 63
Sealing	See section "Eccentric element".	1	4700 9287 94
Ball bearing	See section "Eccentric element".	2	4700 9292 87
Retainer ring	See section "Eccentric element".	1	4700 1510 07
Washer	6.4 x 12 x 1.5 mm 0.25 x 0.47 x 0.06 in. 300 HV See section "Eccentric element".	16	-
Screw	M6 x 20 mm 8.8 A2K See section "Eccentric element".	16	-
Sealing compound	See section "Eccentric element".	1	4700 9299 06
Copper washer	16.7 x 24 x 1.5 mm 0.66 x 0.94 x 0.06 in. TYPE A, M16 See section "Eccentric element".	1	-

Forward and reverse piston repair kit

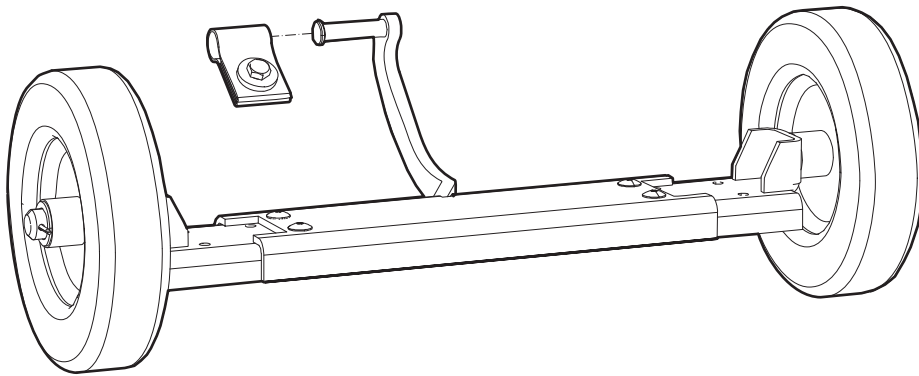
Description	Remark	Quantity	Part number
Forward and reverse piston repair kit		1	3382 1000 34
Sealing	See section "Eccentric element".	1	4700 2812 76
Piston rod	See section "Eccentric element".	1	4812 0700 51
Retainer ring	See section "Eccentric element".	1	4700 1510 39
Ball bearing	See section "Eccentric element".	1	4812 0703 59
Retainer ring	See section "Eccentric element".	1	4700 1500 02
Ball bearing	See section "Eccentric element".	1	4812 0703 62
Spring washer	See section "Eccentric element".	1	4812 0703 63
Cylinder	See section "Eccentric element".	1	4812 0700 50
Spirol pin	See section "Eccentric element".	1	4700 6290 62
Washer	6.4 x 12 x 1.5 mm 0.25 x 0.47 x 0.06 in. 300 HVSee section "Eccentric element".	4	-
Screw	M6 x 20 mm 8.8 A2K See section "Eccentric element".	4	-

Block paving plate kit 510 mm (20.1 in.)



Description	Remark	Quantity	Part number
Block paving plate kit		1	4700 3820 00
Polyurethane plate	510 mm 20.1 in.	1	-
Bracket		2	-
Nut	M10 x 1.5 mm A3K	4	-
Screw	M10 x 45 mm 4.6 A3K	4	-

Transport device kit



Description	Remark	Quantity	Part number
Transport device kit		1	4700 3949 69
Transport device		1	-
Strap		1	-
Washer	13 x 36 x 6 mm 0.51 x 1.42 x 0.24 in. 300 HV	1	-
Screw	M12 x 25 mm 8.8 A3K	1	-
Screw	M8 x 30 mm 8.8	4	-
Wheel shaft		2	-
Washer		4	-
Wheel		2	-
Split pin		2	-
Washer	8.4 x 22 x 3 mm 0.33 x 0.87 x 0.12 in. 300 HV	4	-
Nut	M8 A2K	4	-



Any unauthorized use or copying of the contents or any part thereof is prohibited.
This applies in particular to trademarks, model denominations, part numbers, and
drawings.

© 2014 Atlas Copco Construction Tools AB | No. 9800 1106 01e | 2014-02-28

www.atlascopco.com